

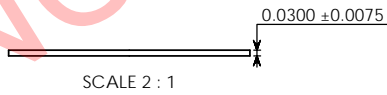
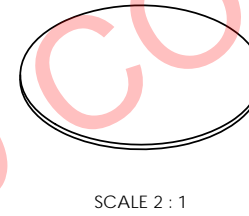
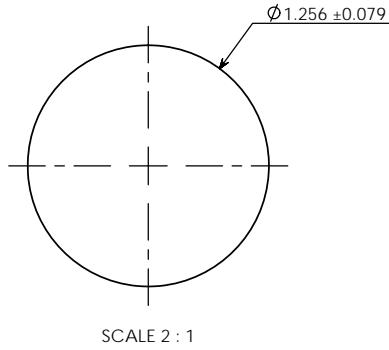
PROPERTY OF

PPI IS NOT RESPONSIBLE FOR PRODUCT COMPATABILITY.
NOT ALL MATERIALS ARE SUITABLE FOR ALL APPLICATIONS.



PARKWAY PLASTICS

IT IS THE BUYER'S SOLE RESPONSIBILITY TO TEST THE COMPATIBILITY OF
THEIR PRODUCTS WITH PARKWAY'S PRODUCTS & SERVICES.



UNCONTROLLED COPY

NOTE

=====
MANUFACTURER RESERVES THE RIGHT TO
CHANGE SPECIFICATIONS AND/OR
CHANGE SUPPLIERS AND/OR SUBSTITUTE
EQUIVALENT MATERIALS WITHOUT NOTICE.

WEIGHT: 0.30 ± 0.10 GRAMS

PROPRIETARY AND CONFIDENTIAL
THE INFORMATION CONTAINED IN THIS
DRAWING IS THE SOLE PROPERTY OF
PARKWAY PLASTICS INC. ANY
REPRODUCTION IN PART OR AS A WHOLE
WITHOUT THE WRITTEN PERMISSION OF
PARKWAY PLASTICS INC IS PROHIBITED.

DIAMETER	1.256 ± 0.079	UNLESS OTHERWISE SPECIFIED:	NAME	DATE	PARKWAY PLASTICS INC	
THICKNESS	0.0300 ± 0.0075	DIMENSIONS ARE IN INCHES	DRAWN	S.P.		12/23/14
WEIGHT	0.30 ± 0.10	TOLERANCES:	CHECKED			
		FRACTIONAL ±	ENG APPR			
		ANGULAR: MATCH ±	MFG APPR			
		TWO PLACE DECIMAL ±	D.A.			
		THREE PLACE DECIMAL ±	COMMENTS:			
		INTERPRET GEOMETRIC TOLERANCING PER:				
		MATERIAL:				
		SURESEAL 222				
NEXT ASSY	USED ON	FINISH				
APPLICATION		DO NOT SCALE DRAWING				

TITLE:	33mm Bulk Packed Foam Liner	
SIZE	DWG. NO.	REV
C	-33mm Foam Liner	
SCALE: 2:1	WEIGHT:	SHEET 1 OF 1