

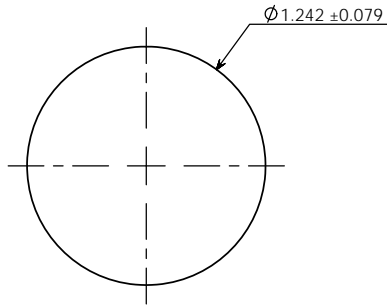
**PROPERTY OF**

PPI IS NOT RESPONSIBLE FOR PRODUCT COMPATABILITY.  
NOT ALL MATERIALS ARE SUITABLE FOR ALL APPLICATIONS.

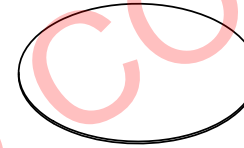


**PARKWAY PLASTICS**

IT IS THE BUYER'S SOLE RESPONSIBILITY TO TEST THE COMPATIBILITY OF  
THEIR PRODUCTS WITH PARKWAY'S PRODUCTS & SERVICES.



SCALE 2 : 1



SCALE 2 : 1



SCALE 2 : 1

UNCONTROLLED COPY

**NOTE**  
=====

MANUFACTURER RESERVES THE RIGHT TO  
CHANGE SPECIFICATIONS AND/OR  
CHANGE SUPPLIERS AND/OR SUBSTITUTE  
EQUIVALENT MATERIALS WITHOUT NOTICE.

WEIGHT: 0.20±0.10 GRAMS

DIAMETER	1.242±0.079	UNLESS OTHERWISE SPECIFIED:	DRAWN	NAME	DATE	PARKWAY PLASTICS INC	
THICKNESS	0.0135±0.0050	DIMENSIONS ARE IN INCHES	CHECKED	S.P.	01/07/15		TITLE:
WEIGHT	0.20±0.10	TOLERANCES:	ENG APPR				33mm Bulk Packed
		FRACTIONAL ±	MFG APPR				Heat Seal Liner
		ANGULAR: MATCH ±	D.A.			COMMENTS:	
		BEND ±					
		THREE PLACE DECIMAL ±					
		INTERPRET GEOMETRIC TOLERANCING PER:					
		MATERIAL:					
		FS 5-9 \$105					
NEXT ASSY	USED ON	FINISH				SIZE DWG. NO. REV	
						C -33mm Heat Seal Liner	
APPLICATION		DO NOT SCALE DRAWING				SCALE: 2:1 WEIGHT: SHEET 1 OF 1	

**PROPRIETARY AND CONFIDENTIAL**  
THE INFORMATION CONTAINED IN THIS  
DRAWING IS THE SOLE PROPERTY OF  
PARKWAY PLASTICS INC. ANY  
REPRODUCTION IN PART OR AS A WHOLE  
WITHOUT THE WRITTEN PERMISSION OF  
PARKWAY PLASTICS INC IS PROHIBITED.