

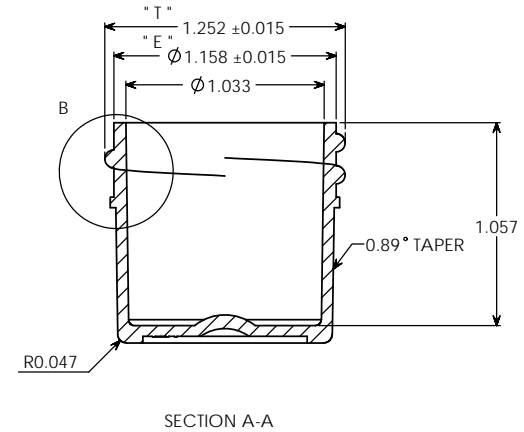
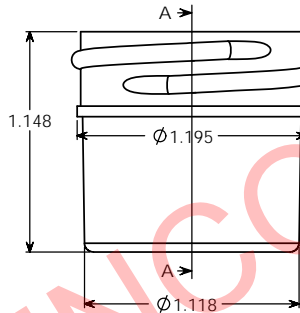
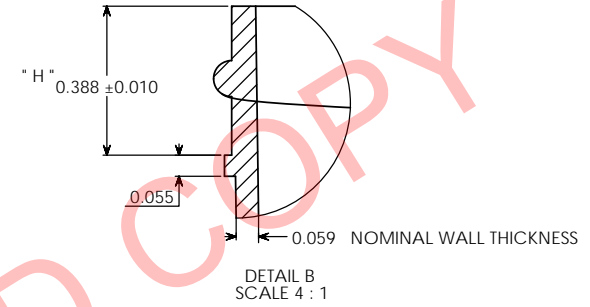
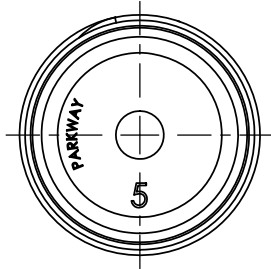
PROPERTY OF

PPI IS NOT RESPONSIBLE FOR PRODUCT COMPATABILITY.  
NOT ALL MATERIALS ARE SUITABLE FOR ALL APPLICATIONS.



PARKWAY PLASTICS

IT IS THE BUYER'S SOLE RESPONSIBILITY TO TEST THE COMPATIBILITY  
OF THEIR PRODUCTS WITH PARKWAY'S PRODUCTS & SERVICES.



NOTE

Manufacturer reserves the right to change specifications without notice. All purchase order for the item herein described, must be accompanied by a copy of this print. All dimensions have a tolerance of +/- 3 % unless otherwise specified.  
SIDEWALL CAMBER .050" PER SIDE MAX.  
THREAD = GCM1 400- CT FINISH  
6 THREADS PER INCH.

OVERFLOW : 15 ML  
WEIGHT: 4 GRAMS ± 1 GRAM

UNCONTROLLED COPY

|   |                 |   |                      |                |                  |   |                                    |
|---|-----------------|---|----------------------|----------------|------------------|---|------------------------------------|
| <small>PROPRIETARY AND CONFIDENTIAL</small><br>THE INFORMATION CONTAINED IN THIS DRAWING IS THE SOLE PROPERTY OF PARKWAY PLASTICS INC. ANY REPRODUCTION IN PART OR AS A WHOLE WITHOUT THE WRITTEN PERMISSION OF PARKWAY PLASTICS INC IS PROHIBITED. |                 | DIMENSIONS ARE IN INCHES<br>TOLERANCES:<br>FRACTIONAL ±<br>ANGULAR MATCH ± BEND ±<br>TWO PLACE DECIMAL ±<br>THREE PLACE DECIMAL ± |                      | NAME<br>G.W.W. | DATE<br>12/20/12 | PARKWAY PLASTICS INC<br>TITLE: 1/4 OZ 33 MM REGULAR WALL WHITE POLYPROPYLENE JAR (CUSTOMER PRINT) |                                    |
| * T * DIMENSION   | 1.252 ± 0.015   |   |                      | DRAWN          |                  |   | SIZE DWG. NO. REV<br>C A0330025PPW |
| * E * DIMENSION   | 1.158 ± 0.015   |   |                      | CHECKED        |                  |   |                                    |
| * H * DIMENSION   | 0.388 ± 0.010   |   |                      | ENG APPR       |                  |   |                                    |
| SECTION VIEW A - A  | JAR             |   |                      | MFG APPR       |                  | SCALE: 2:1 WEIGHT: SHEET 1 OF 1   |                                    |
| DETAIL VIEW B   | * H * DIMENSION |   |                      | D.A.           |                  |   |                                    |
|   |                 | MATERIAL  | S11                  | COMMENTS:      |                  |   |                                    |
|   |                 | COLORANT  | 61 WHITE             |                |                  |   |                                    |
|   |                 | DECORATION  | NA                   |                |                  |   |                                    |
| NEXT ASSY   | USED ON         |   |                      |                |                  |   |                                    |
| APPLICATION   |                 |   | DO NOT SCALE DRAWING |                |                  |   |                                    |