

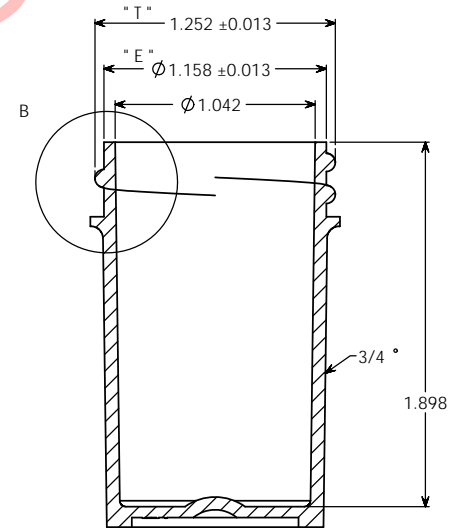
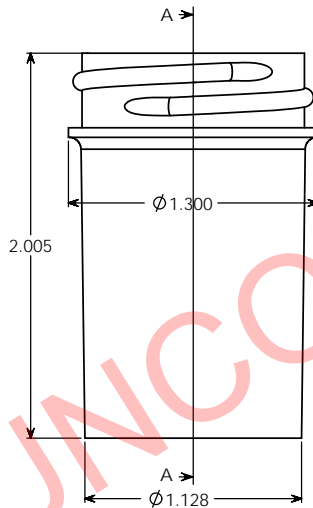
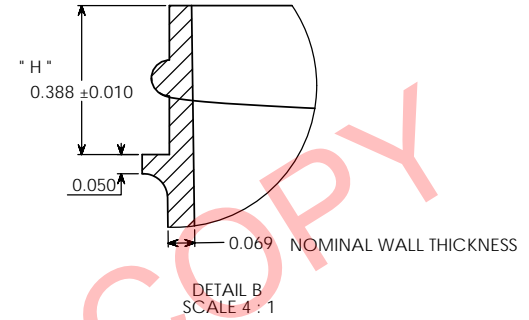
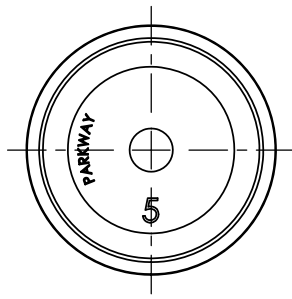
PROPERTY OF

PPI IS NOT RESPONSIBLE FOR PRODUCT COMPATABILITY.  
NOT ALL MATERIALS ARE SUITABLE FOR ALL APPLICATIONS.



PARKWAY PLASTICS

IT IS THE BUYER'S SOLE RESPONSIBILITY TO TEST THE COMPATIBILITY  
OF THEIR PRODUCTS WITH PARKWAY'S PRODUCTS & SERVICES.



SECTION A-A

NOTE  
=====

Manufacturer reserves the right to change specifications without notice. All purchase order for the item herein described, must be accompanied by a copy of this print. All dimensions have a tolerance of +/- 3 % unless otherwise specified.  
SIDEWALL CAMBER .050" PER SIDE MAX.  
THREAD = GCM1 400- CT FINISH  
6 THREADS PER INCH.

OVERFLOW: 25 ML  
WEIGHT: 9 GRAMS ± 1 GRAM

UNCONTROLLED COPY

PROPRIETARY AND CONFIDENTIAL  
THE INFORMATION CONTAINED IN THIS DRAWING IS THE SOLE PROPERTY OF PARKWAY PLASTICS INC. ANY REPRODUCTION IN PART OR AS A WHOLE WITHOUT THE WRITTEN PERMISSION OF PARKWAY PLASTICS INC IS PROHIBITED.

"T" DIMENSION	1.252 ± 0.013	UNLESS OTHERWISE SPECIFIED:	NAME	DATE	PARKWAY PLASTICS INC	
"E" DIMENSION	1.158 ± 0.013	DIMENSIONS ARE IN INCHES	DRAWN	G.W.W		TITLE: 7/8 OZ 33 MM REGULAR WALL STYRENE JAR (CUSTOMER PRINT)
"H" DIMENSION	0.388 ± 0.010	TOLERANCES: FRACTIONAL * ANGULAR MATCH * BEND * TWO PLACE DECIMAL * THREE PLACE DECIMAL *	CHECKED			
SECTION VIEW A - A	JAR		ENG APPR			
DETAIL VIEW B	"H" DIMENSION	MATERIAL U11	MFG APPR			
		COLORANT	DIA		COMMENTS	
NEXT ASSY	USED ON	DECORATION	REPLACES PRINT # 87533SRW		SIZE DWG. NO. REV	
APPLICATION	DO NOT SCALE DRAWING				C A0330087CSC	
					SCALE: 2:1 WEIGHT: SHEET 1 OF 1	