

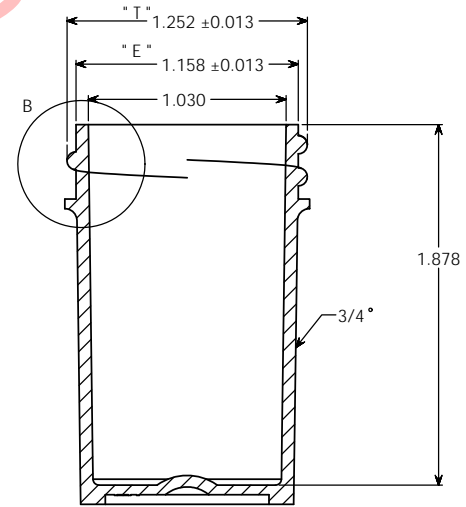
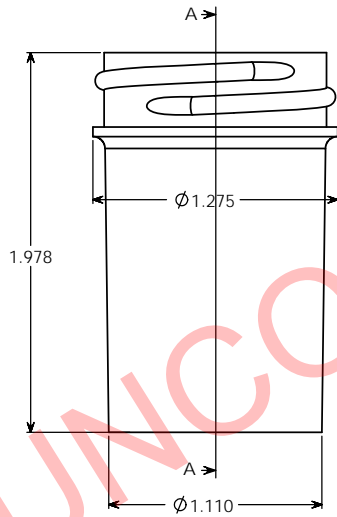
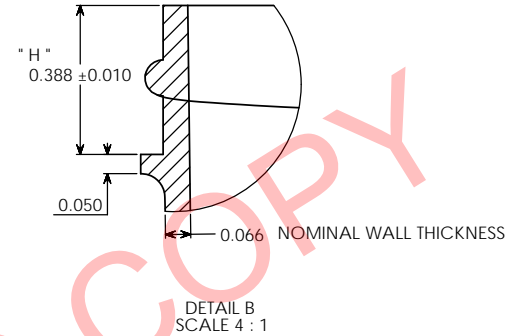
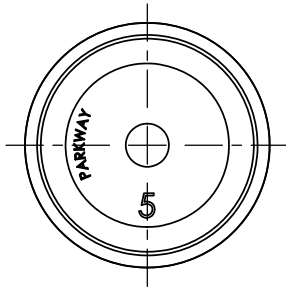
PROPERTY OF

PPI IS NOT RESPONSIBLE FOR PRODUCT COMPATABILITY.  
NOT ALL MATERIALS ARE SUITABLE FOR ALL APPLICATIONS.



PARKWAY PLASTICS

IT IS THE BUYER'S SOLE RESPONSIBILITY TO TEST THE COMPATIBILITY  
OF THEIR PRODUCTS WITH PARKWAY'S PRODUCTS & SERVICES.



UNCONTROLLED COPY

NOTE

=====  
Manufacturer reserves the right to change specifications without notice. All purchase order for the item herein described, must be accompanied by a copy of this print. All dimensions have a tolerance of +/- 3 % unless otherwise specified.  
SIDEWALL CAMBER .050" PER SIDE MAX.  
THREAD = GCM1 400- CT FINISH  
6 THREADS PER INCH.

OVERFLOW: 25 ML  
WEIGHT: 7 GRAMS ± 1 GRAMS

PROPRIETARY AND CONFIDENTIAL  
THE INFORMATION CONTAINED IN THIS DRAWING IS THE SOLE PROPERTY OF PARKWAY PLASTICS INC. ANY REPRODUCTION IN PART OR AS A WHOLE WITHOUT THE WRITTEN PERMISSION OF PARKWAY PLASTICS INC IS PROHIBITED.

* T * DIMENSION	1.252 ± 0.013	UNLESS OTHERWISE SPECIFIED:	NAME	DATE	PARKWAY PLASTICS INC
* E * DIMENSION	1.158 ± 0.013	DIMENSIONS ARE IN INCHES	G.W.W	12/21/12	
* H * DIMENSION	0.388 ± 0.010	TOLERANCES: FRACTIONAL ± ANGULAR MATCH ± BEND ± TWO PLACE DECIMAL ± THREE PLACE DECIMAL ±	CHECKED		
SECTION VIEW A - A	JAR	MATERIAL	ENG APPR		
DETAIL VIEW B	* H * DIMENSION	S10 - 01	D.A.		TITLE: 7/8 OZ 33 MM REGULAR WALL POLYPROPYLENE JAR (CUSTOMER PRINT)
NEXT ASSY	USED ON	COLORANT	COMMENTS		SIZE DWG. NO. REV
APPLICATION	DO NOT SCALE DRAWING	DECORATION	REPLACE PRINT # 87533PPR		C A0330087PPC
					SCALE: 2:1 WEIGHT: SHEET 1 OF 1