

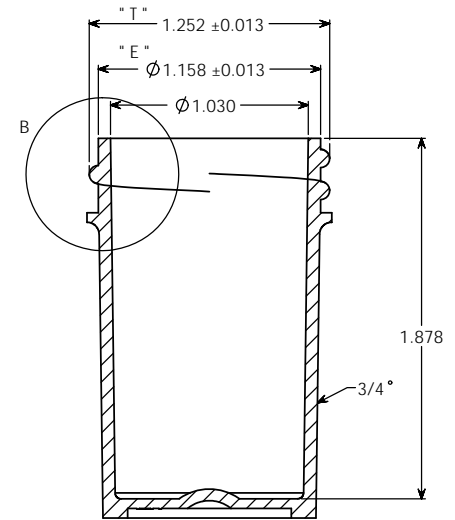
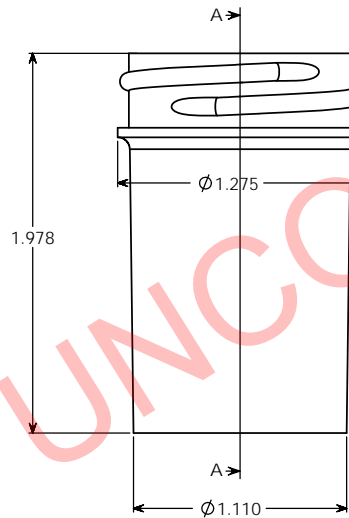
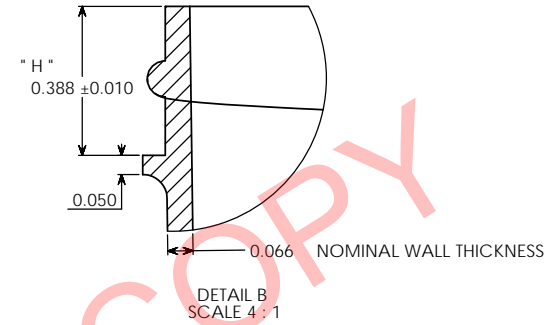
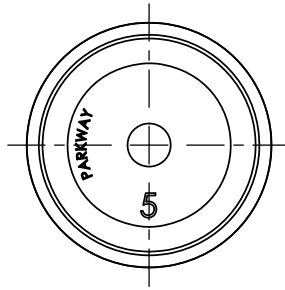
PROPERTY OF

PPI IS NOT RESPONSIBLE FOR PRODUCT COMPATABILITY.
NOT ALL MATERIALS ARE SUITABLE FOR ALL APPLICATIONS.



PARKWAY PLASTICS

IT IS THE BUYER'S SOLE RESPONSIBILITY TO TEST THE COMPATIBILITY
OF THEIR PRODUCTS WITH PARKWAY'S PRODUCTS & SERVICES.



NOTE

Manufacturer reserves the right to change specifications without notice. All purchase order for the item herein described, must be accompanied by a copy of this print. All dimensions have a tolerance of +/- 3 % unless otherwise specified.
SIDEWALL CAMBER .050" PER SIDE MAX.
THREAD = GCM1 400- CT FINISH
6 THREADS PER INCH.

OVERFLOW: 25 ML
WEIGHT: 7 GRAMS ± 1 GRAM

PROPRIETARY AND CONFIDENTIAL
THE INFORMATION CONTAINED IN THIS DRAWING IS THE SOLE PROPERTY OF PARKWAY PLASTICS INC. ANY REPRODUCTION IN PART OR AS A WHOLE WITHOUT THE WRITTEN PERMISSION OF PARKWAY PLASTICS INC IS PROHIBITED.

* T * DIMENSION	1.252 ± 0.013	UNLESS OTHERWISE SPECIFIED:	DRAWN	NAME	DATE	PARKWAY PLASTICS INC
* H * DIMENSION	1.158 ± 0.013	DIMENSIONS ARE IN INCHES	CHECKED	G.W.W	12/21/12	
* E * DIMENSION	0.388 ± 0.010	FRACTIONAL * ANGULAR MATCH * BEND * TWO PLACE DECIMAL * THREE PLACE DECIMAL *	ENG APPR			
SECTION VIEW A - A	JAR	MATERIAL	MFG APPR			
DETAIL VIEW B	* H * DIMENSION	S11	D.A.			TITLE: 7/8 OZ 33 MM REGULAR WALL WHITE POLYPROPYLENE JAR (CUSTOMER PRINT)
		61 WHITE	COMMENTS:			SIZE DWG. NO. REV
NEXT ASSY	USED ON	SECORATION				C A0330087PPW
APPLICATION	DO NOT SCALE DRAWING					SCALE: 2:1 WEIGHT: SHEET 1 OF 1

UNCONTROLLED COPY