

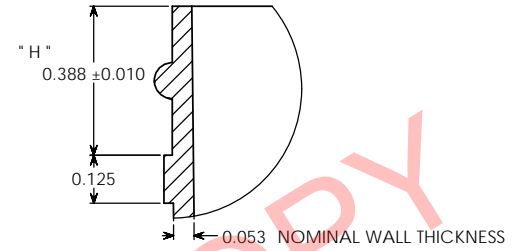
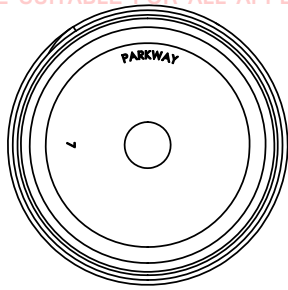
PROPERTY OF

PPI IS NOT RESPONSIBLE FOR PRODUCT COMPATABILITY.
NOT ALL MATERIALS ARE SUITABLE FOR ALL APPLICATIONS.

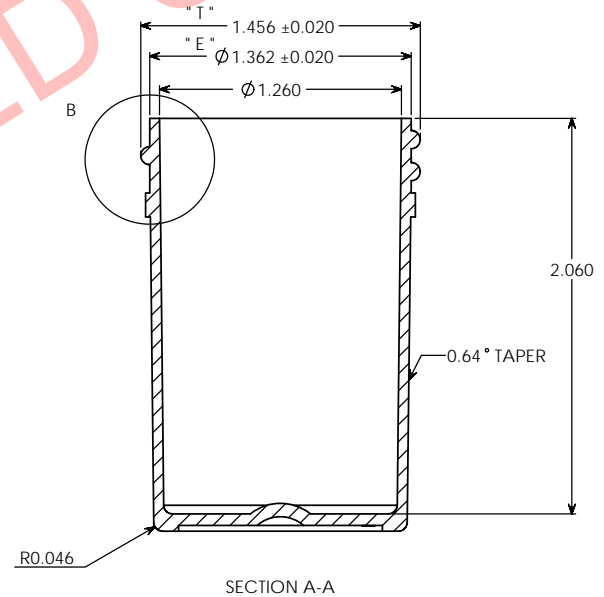
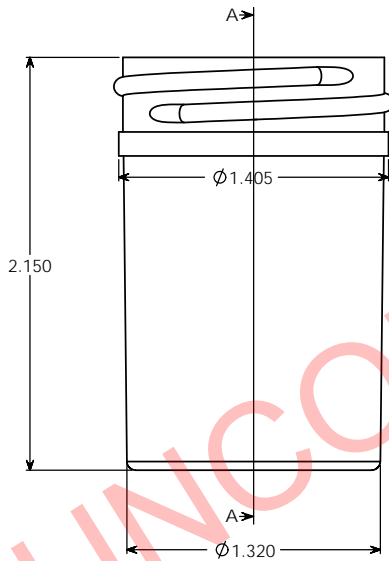


PARKWAY PLASTICS

IT IS THE BUYER'S SOLE RESPONSIBILITY TO TEST THE COMPATIBILITY
OF THEIR PRODUCTS WITH PARKWAY'S PRODUCTS & SERVICES.



DETAIL B
SCALE 4 : 1



UNCONTROLLED COPY

NOTE
=====

Manufacturer reserves the right to change specifications without notice. All purchase order for the item herein described, must be accompanied by a copy of this print. All dimensions have a tolerance of +/- 3% unless otherwise specified.
SIDEWALL CAMBER .050" PER SIDE MAX.
THREAD = GCMI 400- CT FINISH
6 THREADS PER INCH.

OVERFLOW: 39ML
WEIGHT: 8.6 GRAMS ± 1 GRAM

PROPRIETARY AND CONFIDENTIAL
THE INFORMATION CONTAINED IN THIS DRAWING IS THE SOLE PROPERTY OF PARKWAY PLASTICS INC. ANY REPRODUCTION IN PART OR AS A WHOLE WITHOUT THE WRITTEN PERMISSION OF PARKWAY PLASTICS INC IS PROHIBITED.

* T * DIMENSION	1.456 ± 0.020	UNLESS OTHERWISE SPECIFIED:	NAME	DATE	PARKWAY PLASTICS INC	
* E * DIMENSION	1.362 ± 0.020	DIMENSIONS ARE IN INCHES	DRAWN	G.W.W		01/03/13
* H * DIMENSION	0.388 ± 0.010	TOLERANCES:	CHECKED			
SECTION VIEW	JAR	FRACTIONAL ±	ENG APPR			
DETAIL VIEW	A - A	ANGULAR MATCH ± BEND ±	MFG APPR			
	B	TWO PLACE DECIMAL ±	D.A.			
		THREE PLACE DECIMAL ±	COMMENTS:			
		MATERIAL				
		S11				
		COLORANT				
		61 WHITE				
		DECORATION				
		NA				
		APPLICATION				
		DO NOT SCALE DRAWING				

TITLE:	1 OZ 38 MM REGULAR WALL WHITE POLYPROPYLENE JAR (CUSTOMER PRINT)	
SIZE	DWG. NO.	REV
C	A0380100PPW	
SCALE: 2:1	WEIGHT:	SHEET 1 OF 1