

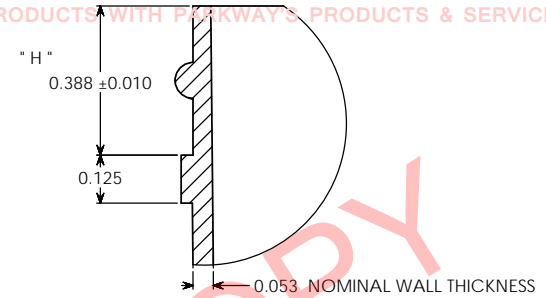
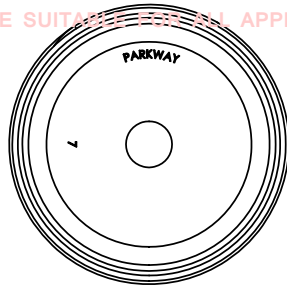
PROPERTY OF

PPI IS NOT RESPONSIBLE FOR PRODUCT COMPATABILITY.  
NOT ALL MATERIALS ARE SUITABLE FOR ALL APPLICATIONS.

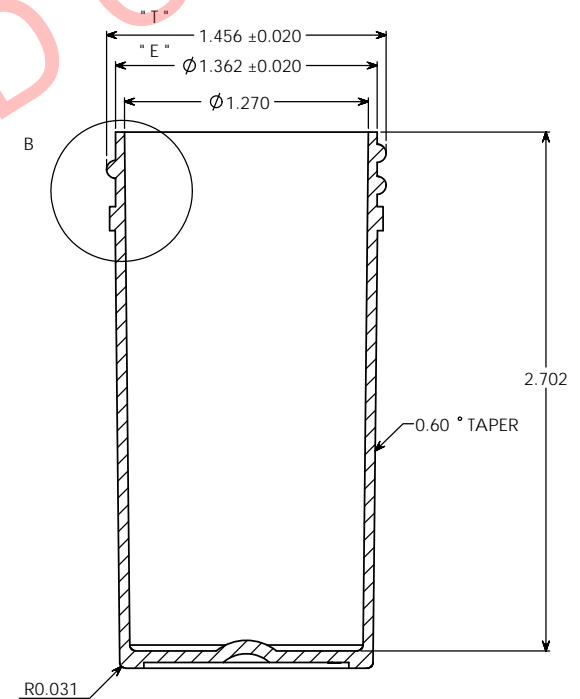
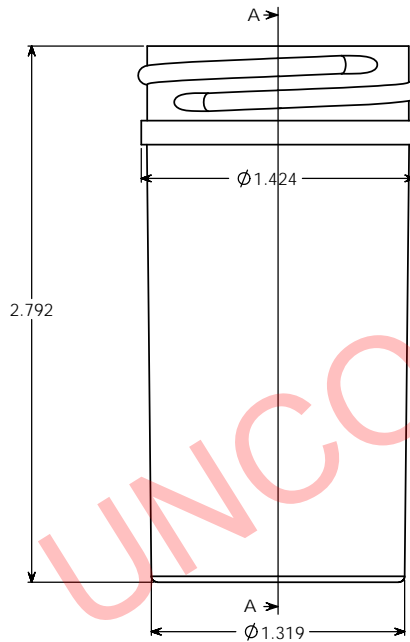


PARKWAY PLASTICS

IT IS THE BUYER'S SOLE RESPONSIBILITY TO TEST THE COMPATIBILITY  
OF THEIR PRODUCTS WITH PARKWAY'S PRODUCTS & SERVICES.



DETAIL B  
SCALE 4 : 1



SECTION A-A

NOTE

Manufacturer reserves the right to change specifications without notice. All purchase order for the item herein described, must be accompanied by a copy of this print. All dimensions have a tolerance of +/- 3 % unless otherwise specified.  
SIDEWALL CAMBER .050" PER SIDE MAX.  
THREAD = GCM I 400- CT FINISH  
6 THREADS PER INCH.

OVERFLOW: 54 ML  
WEIGHT: 12 GRAMS ± 1 GRAM

PROPRIETARY AND CONFIDENTIAL  
THE INFORMATION CONTAINED IN THIS DRAWING IS THE SOLE PROPERTY OF PARKWAY PLASTICS INC. ANY REPRODUCTION IN PART OR AS A WHOLE WITHOUT THE WRITTEN PERMISSION OF PARKWAY PLASTICS INC IS PROHIBITED.

* T * DIMENSION	1.456 ± 0.020	UNLESS OTHERWISE SPECIFIED:	NAME	DATE	PARKWAY PLASTICS INC
* E * DIMENSION	1.362 ± 0.020	DIMENSIONS ARE IN INCHES	G.W.W	01/03/13	
* H * DIMENSION	0.388 ± 0.010	FRACTIONAL ±	CHECKED		
SECTION VIEW A - A	JAR	ANGULAR MATCH ± BEND ±	ENG APPR		
DETAIL VIEW B	" H " DIMENSION	TWO PLACE DECIMAL ±	MFG APPR		TITLE:
		THREE PLACE DECIMAL ±	DIA		1 1/2 OZ 38 MM REGULAR WALL
			COMMENTS		STYRENE JAR
			REPLACES PRINT # 1538SRW		(CUSTOMER PRINT)
					SIZE DWG. NO. REV
					C A0380150CSC
					SCALE: 2:1 WEIGHT: SHEET 1 OF 1