

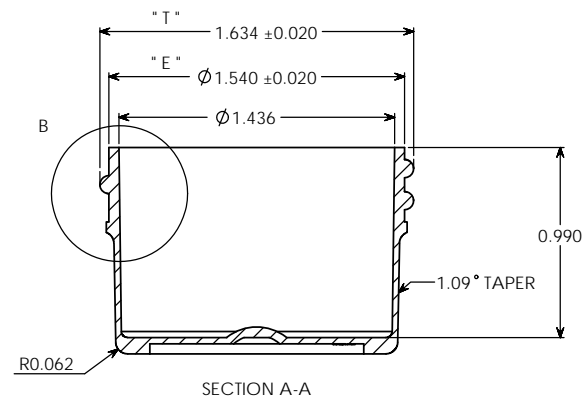
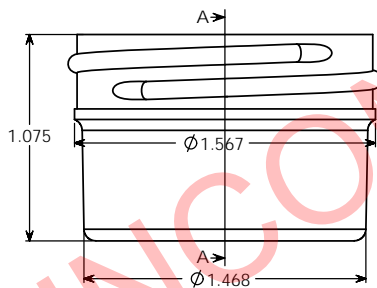
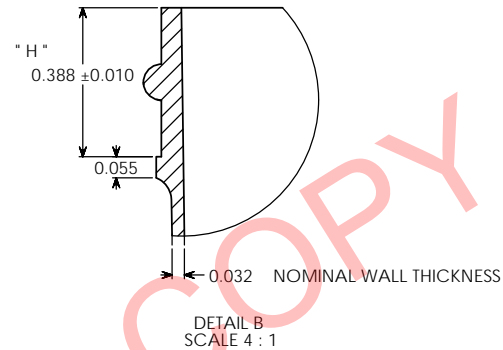
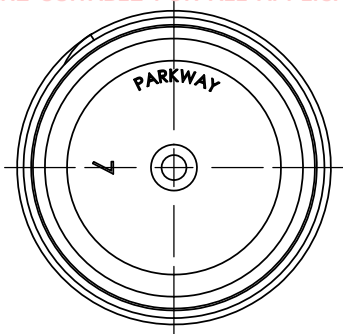
PROPERTY OF

PPI IS NOT RESPONSIBLE FOR PRODUCT COMPATABILITY.
NOT ALL MATERIALS ARE SUITABLE FOR ALL APPLICATIONS.



PARKWAY PLASTICS

IT IS THE BUYER'S SOLE RESPONSIBILITY TO TEST THE COMPATIBILITY
OF THEIR PRODUCTS WITH PARKWAY'S PRODUCTS & SERVICES.



NOTE

Manufacturer reserves the right to change specifications without notice. All purchase order for the item herein described, must be accompanied by a copy of this print. All dimensions have a tolerance of +/- 3 % unless otherwise specified.
SIDEWALL CAMBER .050" PER SIDE MAX.
THREAD = GCM1 400- CT FINISH
6 THREADS PER INCH.

OVERFLOW: 25 ML
WEIGHT: 6 GRAMS

PROPRIETARY AND CONFIDENTIAL
THE INFORMATION CONTAINED IN THIS DRAWING IS THE SOLE PROPERTY OF PARKWAY PLASTICS INC. ANY REPRODUCTION IN PART OR AS A WHOLE WITHOUT THE WRITTEN PERMISSION OF PARKWAY PLASTICS INC IS PROHIBITED.

* T * DIMENSION	1.634 ± 0.020	UNLESS OTHERWISE SPECIFIED:	NAME	DATE	PARKWAY PLASTICS INC TITLE: 1/2 OZ 43 MM REGULAR WALL STYRENE JAR (CUSTOMER PRINT) SIZE DWG. NO. REV C A0430050CSC	
* E * DIMENSION	1.540 ± 0.020	DIMENSIONS ARE IN INCHES TOLERANCES:	DRAWN	G.W.W		01/04/13
* H * DIMENSION	0.388 ± 0.010	FRACTIONAL * ANGULAR * MACH * BEND * TWO PLACE DECIMAL * THREE PLACE DECIMAL *	CHECKED			
SECTION VIEW	JAR	MATERIAL	ENG APPR			
* DETAIL VIEW B * * H * DIMENSION		U11	MFG APPR			
		COLORANT	DIA			
NEXT ASSY	USED ON	DECORATION	COMMENTS:	REPLACES PRINT # 1543STTW		
APPLICATION	DO NOT SCALE DRAWING		SCALE: 2:1	WEIGHT:	SHEET 1 OF 1	