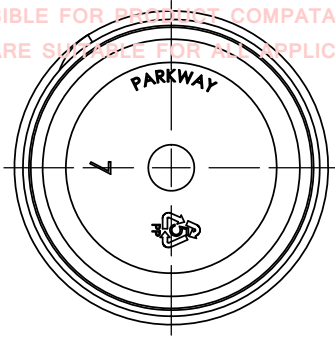


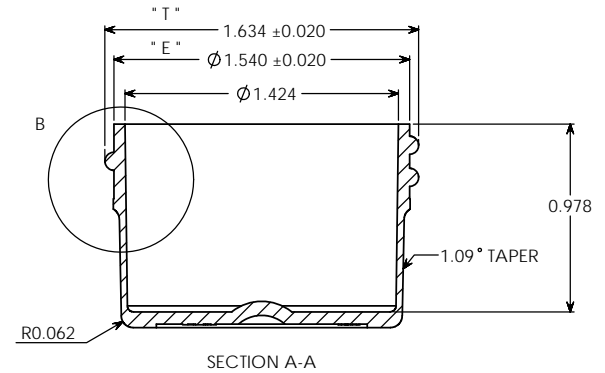
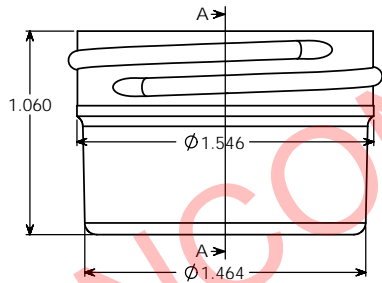
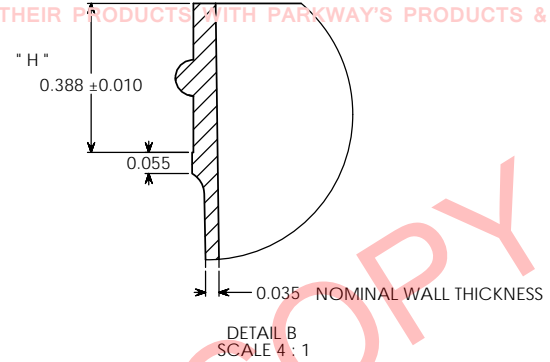
PROPERTY OF

PPI IS NOT RESPONSIBLE FOR PRODUCT COMPATABILITY.  
NOT ALL MATERIALS ARE SUITABLE FOR ALL APPLICATIONS.



PARKWAY PLASTICS

IT IS THE BUYER'S SOLE RESPONSIBILITY TO TEST THE COMPATIBILITY  
OF THEIR PRODUCTS WITH PARKWAY'S PRODUCTS & SERVICES.



NOTE

=====  
Manufacturer reserves the right to change specifications without notice. All purchase order for the item herein described, must be accompanied by a copy of this print. All dimensions have a tolerance of +/- 3 % unless otherwise specified.  
SIDEWALL CAMBER .050" PER SIDE MAX.  
THREAD = GCM1 400- CT FINISH  
6 THREADS PER INCH.

OVERFLOW: 25 ML  
WEIGHT: 5 GRAMS ± 1 GRAM

UNCONTROLLED COPY

PROPRIETARY AND CONFIDENTIAL  
THE INFORMATION CONTAINED IN THIS DRAWING IS THE SOLE PROPERTY OF PARKWAY PLASTICS INC. ANY REPRODUCTION IN PART OR AS A WHOLE WITHOUT THE WRITTEN PERMISSION OF PARKWAY PLASTICS INC IS PROHIBITED.

* T * DIMENSION	1.634 ± 0.020	UNLESS OTHERWISE SPECIFIED: DIMENSIONS ARE IN INCHES TOLERANCES: FRACTIONAL ± ANGULAR MATCH ± BEND ± TWO PLACE DECIMAL ± THREE PLACE DECIMAL ±	NAME	DATE	<b>PARKWAY PLASTICS INC</b>  TITLE: 1/2 OZ 43 MM REGULAR WALL WHITE POLYPROPYLENE JAR (CUSTOMER PRINT)  SIZE DWG. NO. REV <b>C</b> A0430050PPW  SCALE: 2:1 WEIGHT: SHEET 1 OF 1
* E * DIMENSION	1.540 ± 0.020		DRAWN	G.W.W	
* H * DIMENSION	0.388 ± 0.010	CHECKED			
SECTION VIEW A - A	JAR	ENG APPR			
*DETAIL VIEW B	* H * DIMENSION	MATERIAL	D.A.	COMMENTS	
		S11			
		COLORANT			
		61 WHITE			
		DECORATION			
		NA			
NEXT ASSY	USED ON				
APPLICATION	DO NOT SCALE DRAWING				