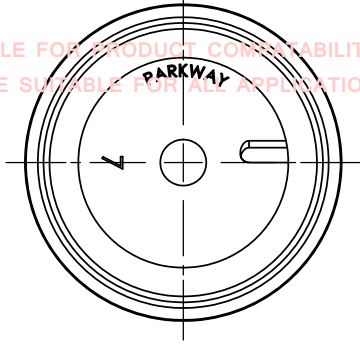


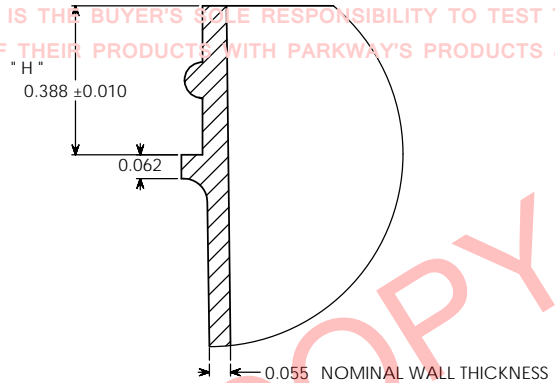
PROPERTY OF

PPI IS NOT RESPONSIBLE FOR PRODUCT COMPATIBILITY.
NOT ALL MATERIALS ARE SUITABLE FOR ALL APPLICATIONS.

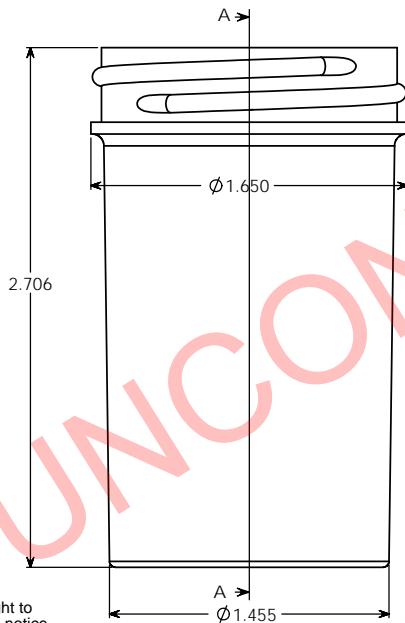


PARKWAY PLASTICS

IT IS THE BUYER'S SOLE RESPONSIBILITY TO TEST THE COMPATIBILITY
OF THEIR PRODUCTS WITH PARKWAY'S PRODUCTS & SERVICES.



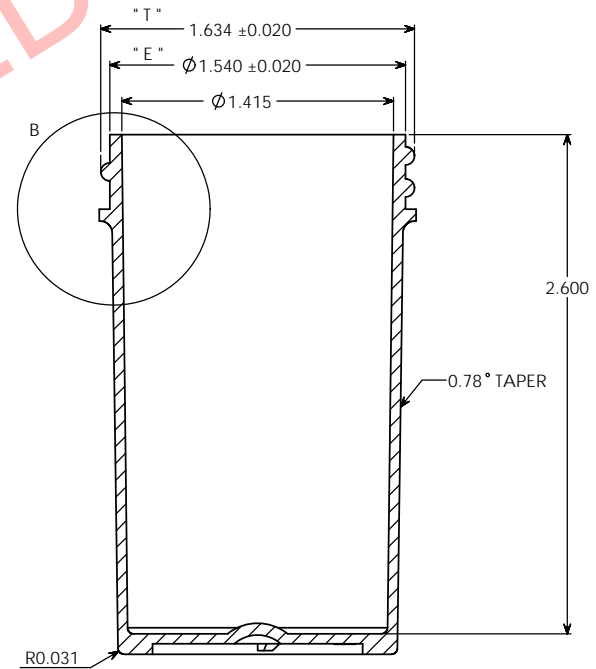
DETAIL B
SCALE 4 : 1



NOTE

Manufacturer reserves the right to change specifications without notice. All purchase order for the item herein described, must be accompanied by a copy of this print. All dimensions have a tolerance of +/- 3% unless otherwise specified.
SIDEWALL CAMBER .050" PER MAX.
THREAD = GCM1 400- CT FINISH
6 THREADS PER INCH.

OVERFLOW: 65ML
WEIGHT: 13 GRAMS ± 2 GRAMS



SECTION A-A

UNCONTROLLED COPY

PROPRIETARY AND CONFIDENTIAL
THE INFORMATION CONTAINED IN THIS DRAWING IS THE SOLE PROPERTY OF PARKWAY PLASTICS INC. ANY REPRODUCTION IN PART OR AS A WHOLE WITHOUT THE WRITTEN PERMISSION OF PARKWAY PLASTICS INC IS PROHIBITED.

* T * DIMENSION	1.634 ± 0.020	UNLESS OTHERWISE SPECIFIED:	DRAWN	NAME	DATE	PARKWAY PLASTICS INC
* E * DIMENSION	1.540 ± 0.020	DIMENSIONS ARE IN INCHES	CHECKED	G.W.W	01/08/13	
* H * DIMENSION	0.388 ± 0.010	TOLERANCES:	ENG APPR			
SECTION VIEW	JAR	FRACTIONAL * ANGULAR MATCH * BEND * TWO PLACE DECIMAL * THREE PLACE DECIMAL *	MFG APPR			
DETAIL VIEW	A - A	MATERIAL	D/A			TITLE: 2 OZ 43 MM REGULAR WALL WHITE POLYPROPYLENE (CUSTOMER PRINT)
DETAIL VIEW	B	S11	COMMENTS:			
	" H " DIMENSION	61 WHITE				
NEXT ASSY	USED ON	DECORATION				SIZE DWG. NO. REV
		NA				C A0430200PPW
APPLICATION	DO NOT SCALE DRAWING					SCALE: 2:1 WEIGHT: SHEET 1 OF 1