

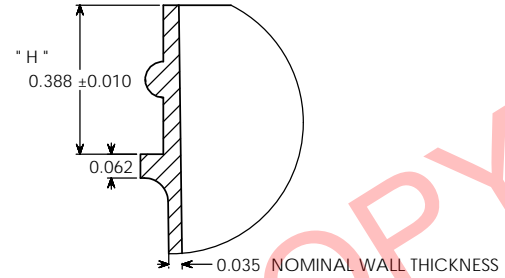
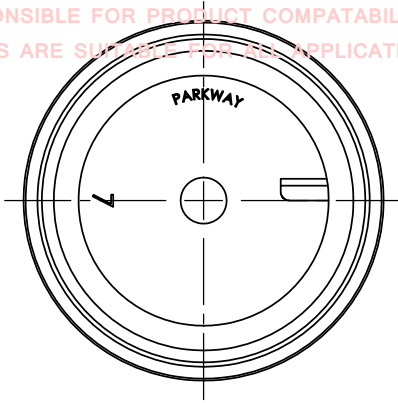
PROPERTY OF

PPI IS NOT RESPONSIBLE FOR PRODUCT COMPATABILITY.  
NOT ALL MATERIALS ARE SUITABLE FOR ALL APPLICATIONS.

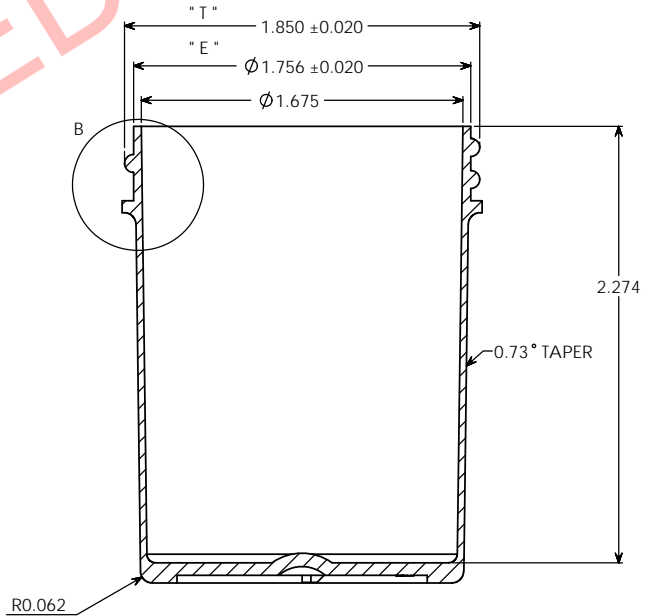
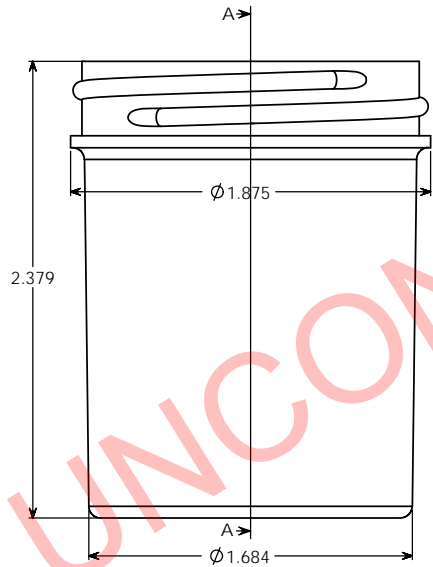


PARKWAY PLASTICS

IT IS THE BUYER'S SOLE RESPONSIBILITY TO TEST THE COMPATIBILITY  
OF THEIR PRODUCTS WITH PARKWAY'S PRODUCTS & SERVICES.



DETAIL B  
SCALE 4 : 1



SECTION A-A

NOTE

Manufacturer reserves the right to change specifications without notice. All purchase order for the item herein described, must be accompanied by a copy of this print. All dimensions have a tolerance of +/- 3 % unless otherwise specified.  
SIDEWALL CAMBER .050" PER SIDE MAX.  
THREAD = GCM1 400- CT FINISH  
6 THREADS PER INCH.

OVERFLOW: 77 ML  
WEIGHT: 9.9 GRAMS ± 2 GRAMS

UNCONTROLLED COPY

PROPRIETARY AND CONFIDENTIAL  
THE INFORMATION CONTAINED IN THIS DRAWING IS THE SOLE PROPERTY OF PARKWAY PLASTICS INC. ANY REPRODUCTION IN PART OR AS A WHOLE WITHOUT THE WRITTEN PERMISSION OF PARKWAY PLASTICS INC IS PROHIBITED.

* T * DIMENSION	1.850 ± 0.020	UNLESS OTHERWISE SPECIFIED:	NAME	DATE	PARKWAY PLASTICS INC	
* E * DIMENSION	1.756 ± 0.020	DIMENSIONS ARE IN INCHES	DRAWN	G.W.W		TITLE: 2 OZ 48 MM REGULAR WALL POLYPROPYLENE JAR (CUSTOMER PRINT)
* H * DIMENSION	0.388 ± 0.010	FRACTIONAL * ANGULAR * MATCH * BEND * TWO PLACE DECIMAL * THREE PLACE DECIMAL *	CHECKED			
SECTION VIEW A - A	JAR	MATERIAL	ENG APPR			
DETAIL VIEW B	* H * DIMENSION	S10 - 01	MFG APPR			
		COLORS	DIA		COMMENTS	
		DECORATION	REPLACES PRINT # 248PPRWJ2			
NEXT ASSY	USED ON	NA			SIZE	
		APPLICATION	DO NOT SCALE DRAWING		DWG. NO.	
					A0480200PPC	
					REV	
					C	
					SCALE: 2:1	
					WEIGHT:	
					SHEET 1 OF 1	