

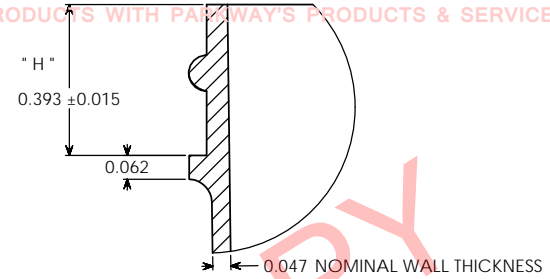
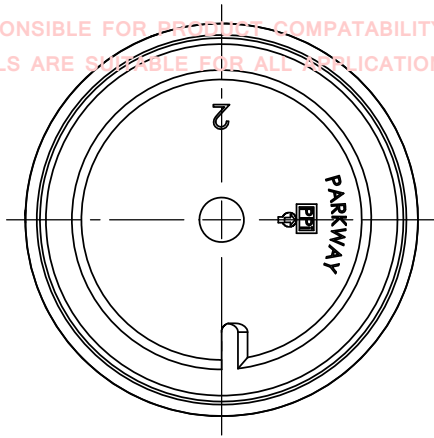
PROPERTY OF

PPI IS NOT RESPONSIBLE FOR PRODUCT COMPATABILITY.
NOT ALL MATERIALS ARE SUITABLE FOR ALL APPLICATIONS.

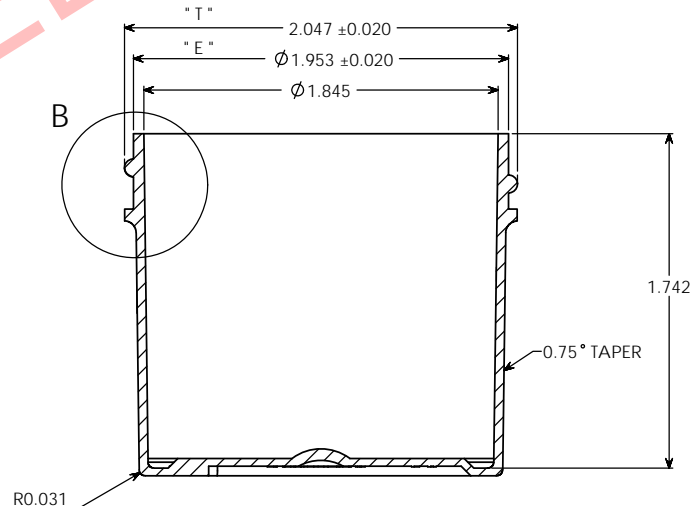
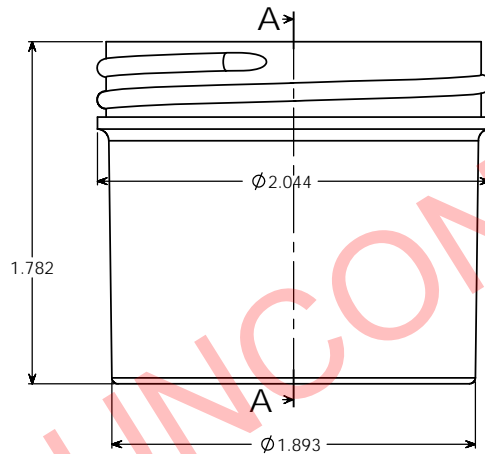


PARKWAY PLASTICS

IT IS THE BUYER'S SOLE RESPONSIBILITY TO TEST THE COMPATIBILITY
OF THEIR PRODUCTS WITH PARKWAY'S PRODUCTS & SERVICES.



DETAIL B
SCALE 4 : 1



SECTION A-A

NOTE

Manufacturer reserves the right to change specifications without notice. All purchase order for the item herein described, must be accompanied by a copy of this print. All dimensions have a tolerance of +/- 3 % unless otherwise specified.
SIDEWALL CAMBER .050" PER SIDE MAX.
THREAD = GCM1 400- CT FINISH
6 THREADS PER INCH.

OVERFLOW VOLUME: 71 ML
WEIGHT: 10.5 GRAMS ± 1.5 GRAMS

PROPRIETARY AND CONFIDENTIAL
THE INFORMATION CONTAINED IN THIS DRAWING IS THE SOLE PROPERTY OF PARKWAY PLASTICS INC. ANY REPRODUCTION IN PART OR AS A WHOLE WITHOUT THE WRITTEN PERMISSION OF PARKWAY PLASTICS INC IS PROHIBITED.

* T * DIMENSION	2.047 ± 0.020	UNLESS OTHERWISE SPECIFIED: DIMENSIONS ARE IN INCHES TOLERANCES: FRACTIONAL ± ANGULAR MATCH ± BEND ± TWO PLACE DECIMAL ± THREE PLACE DECIMAL ±	DRAWN	NAME	DATE	PARKWAY PLASTICS INC TITLE: 2 OZ 53 MM THIN WALL STYRENE JAR (CUSTOMER PRINT)
* E * DIMENSION	1.953 ± 0.020		REVISED	G.W.W	01/09/13	
* H * DIMENSION	0.393 ± 0.015		ENG APPR			
SECTION VIEW A-A	JAR		MFG APPR			
DETAIL VIEW B	* H * DIMENSION	MATERIAL	DIA:		COMMENTS	
		COLOR	NA		REPLACES PRINT # K02B00530P0532H3	
		DECORATION	NA			
NEXT ASSY	USED ON	APPLICATION	DO NOT SCALE DRAWING			
					SCALE: 2:1 WEIGHT: SHEET 1 OF 1	

UNCONTROLLED COPY