

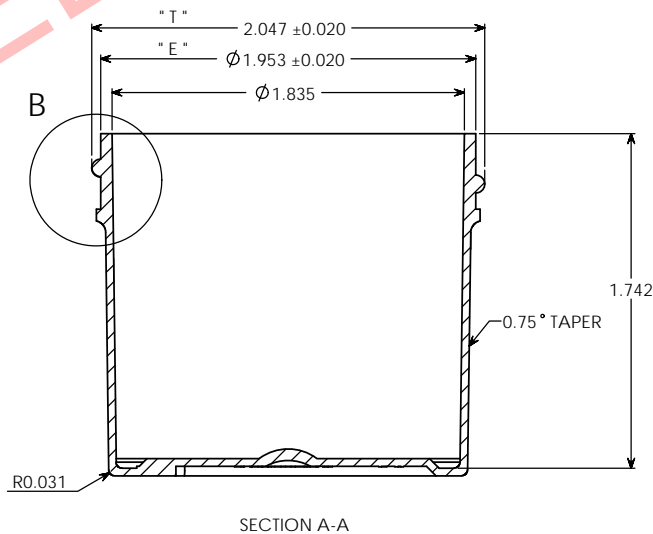
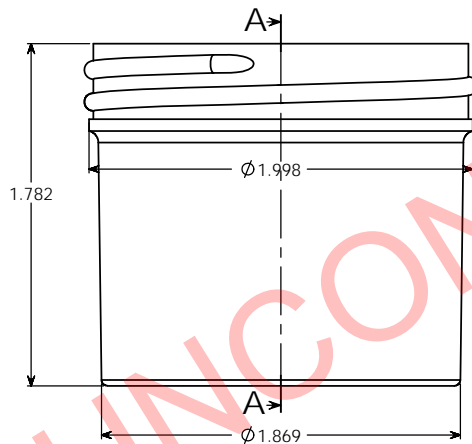
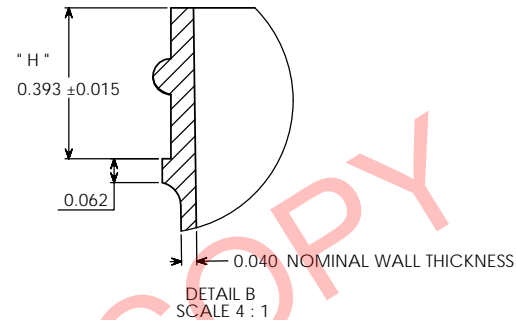
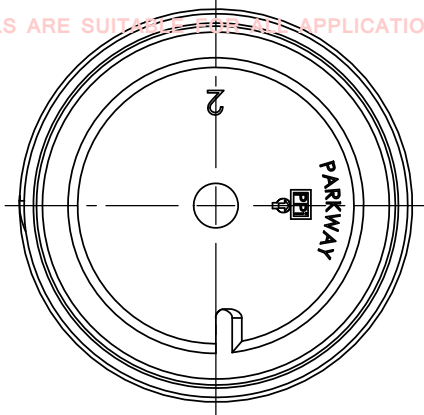
PROPERTY OF

PPI IS NOT RESPONSIBLE FOR PRODUCT COMPATABILITY.
NOT ALL MATERIALS ARE SUITABLE FOR ALL APPLICATIONS.



PARKWAY PLASTICS

IT IS THE BUYER'S SOLE RESPONSIBILITY TO TEST THE COMPATIBILITY
OF THEIR PRODUCTS WITH PARKWAY'S PRODUCTS & SERVICES.



NOTE

Manufacturer reserves the right to change specifications without notice. All purchase order for the item herein described, must be accompanied by a copy of this print. All dimensions have a tolerance of +/- 3 % unless otherwise specified.
SIDEWALL CAMBER .050° PER SIDE MAX.
THREAD = GCM1 400- CT FINISH
6 THREADS PER INCH.

OVERFLOW VOLUME = 71 ML
WEIGHT = 9 GRAMS +/- 1.5 GRAMS

PROPRIETARY AND CONFIDENTIAL		* T * DIMENSION 2.047 ± 0.020		UNLESS OTHERWISE SPECIFIED:		DRAWN G.W.W		NAME DATE		PARKWAY PLASTICS INC	
THE INFORMATION CONTAINED IN THIS DRAWING IS THE SOLE PROPERTY OF PARKWAY PLASTICS INC. ANY REPRODUCTION IN PART OR AS A WHOLE WITHOUT THE WRITTEN PERMISSION OF PARKWAY PLASTICS INC IS PROHIBITED.		* E * DIMENSION 1.953 ± 0.020		DIMENSIONS ARE IN INCHES		CHECKED		01/10/13		TITLE:	
		* H * DIMENSION 0.393 ± 0.015		FRACTIONAL ±		ENG APPR				2 OZ 53 MM THIN WALL	
		SECTION VIEW A - A JAR		ANGULAR MATCH ± BEND ±		MFG APPR				POLYPROPYLENE JAR	
		DETAIL VIEW B * H * DIMENSION		S10 - 01		DIA COMMENTS				(CUSTOMER PRINT)	
NEXT ASSY		USED ON		DECORATION NA		REPLACES PRINT # K02B00530P0532H2		SCALE DWG. NO. REV		C A0530200PPC	
APPLICATION		DO NOT SCALE DRAWING						SCALE: 2:1 WEIGHT:		SHEET 1 OF 1	