

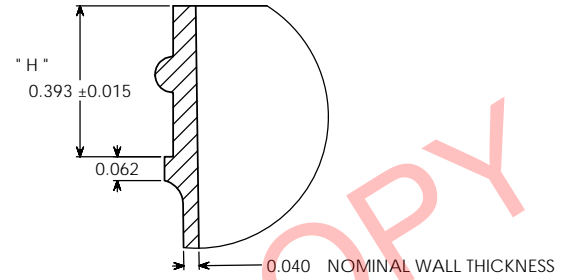
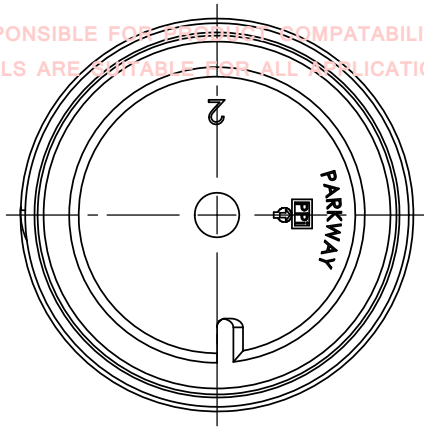
PROPERTY OF

PPI IS NOT RESPONSIBLE FOR COMPATIBILITY.  
NOT ALL MATERIALS ARE SUITABLE FOR ALL APPLICATIONS.

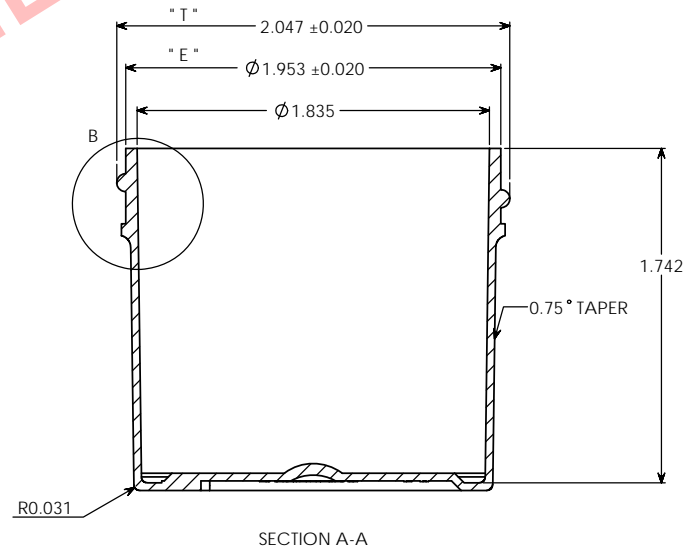
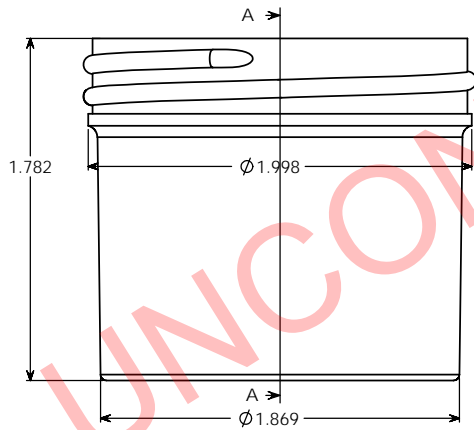


PARKWAY PLASTICS

IT IS THE BUYER'S SOLE RESPONSIBILITY TO TEST THE COMPATIBILITY  
OF THEIR PRODUCTS WITH PARKWAY'S PRODUCTS & SERVICES.



DETAIL B  
SCALE 4:1



SECTION A-A

NOTE

Manufacturer reserves the right to change specifications without notice. All purchase order for the item herein described, must be accompanied by a copy of this print. All dimensions have a tolerance of +/- 3 % unless otherwise specified.  
SIDEWALL CAMBER .050" PER SIDE MAX.  
THREAD = GCMI 400- CT FINISH  
6 THREADS PER INCH.

OVERFLOW: 71 ML  
WEIGHT: 9 GRAMS ± 1.5 GRAMS

PROPRIETARY AND CONFIDENTIAL  
THE INFORMATION CONTAINED IN THIS DRAWING IS THE SOLE PROPERTY OF PARKWAY PLASTICS INC. ANY REPRODUCTION IN PART OR AS A WHOLE WITHOUT THE WRITTEN PERMISSION OF PARKWAY PLASTICS INC IS PROHIBITED.

"T" DIMENSION	2.047 ± 0.020	UNLESS OTHERWISE SPECIFIED: DIMENSIONS ARE IN INCHES TOLERANCES: FRACTIONAL * ANGULAR MATCH * BEND * TWO PLACE DECIMAL * THREE PLACE DECIMAL *	NAME	DATE	PARKWAY PLASTICS INC TITLE: 2 OZ 53 MM THIN WALL WHITE POLYPROPYLENE JAR (CUSTOMER PRINT)
"E" DIMENSION	1.953 ± 0.020		DRAWN	G.W.W	
"H" DIMENSION	0.393 ± 0.015	CHECKED			
SECTION VIEW A - A	JAR	ENG APPR			
MATERIAL	61 WHITE	DIA:			SIZE
DETAIL VIEW B	"H" DIMENSION	DECORATION			DWG. NO.
		DECORATION			A0530200PPW
NEXT ASSY	USED ON	APPLICATION			REV
		DO NOT SCALE DRAWING			
COMMENTS:					SCALE: 2:1
					WEIGHT:
					SHEET 1 OF 1