

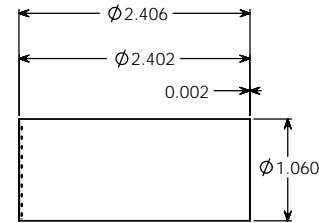
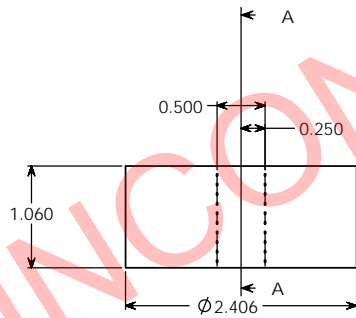
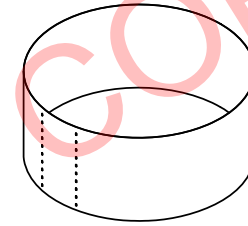
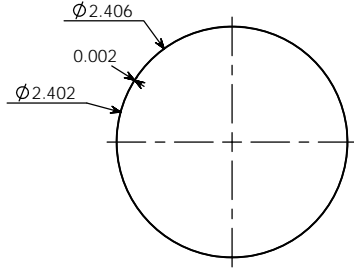
PROPERTY OF

PPI IS NOT RESPONSIBLE FOR PRODUCT COMPATABILITY.
NOT ALL MATERIALS ARE SUITABLE FOR ALL APPLICATIONS.



PARKWAY PLASTICS

IT IS THE BUYER'S SOLE RESPONSIBILITY TO TEST THE COMPATIBILITY OF
THEIR PRODUCTS WITH PARKWAY'S PRODUCTS & SERVICES.



SECTION A-A

NOTE:

SHRINKSLEEVES ARE SHIPPED
PRESSED FLAT WITH SPECIFIC WIDTH
& HEIGHT MEASUREMENTS. EACH
MEASUREMENT HAS A TOLERANCE
OF +/- .125 INCHES (3.175 MM).

PROPRIETARY AND CONFIDENTIAL
THE INFORMATION CONTAINED IN THIS
DRAWING IS THE SOLE PROPERTY OF
PARKWAY PLASTICS INC. ANY
REPRODUCTION IN PART OR AS A WHOLE
WITHOUT THE WRITTEN PERMISSION OF
PARKWAY PLASTICS INC IS PROHIBITED.

WIDTH	HEIGHT	UNLESS OTHERWISE SPECIFIED:	DRAWN	NAME	DATE	PARKWAY PLASTICS INC
96MM	27MM	DIMENSIONS ARE IN INCHES TOLERANCES: FRACTIONAL ± ANGULAR: MATCH ± BEND ± TWO PLACE DECIMAL ± THREE PLACE DECIMAL ±	S.P.		02/03/15	
		INTERPRET GEOMETRIC TOLERANCING PER:	CHECKED			58MM RW CLEAR PVC SHRINK SLEEVE
		MATERIAL	ENG APPR			
NEXT ASSY	USED ON	FINISH	MFG APPR			DWG. NO.
APPLICATION	DO NOT SCALE DRAWING		D.A.			A058 Shrink Sleeve
			COMMENTS:			REV
						SCALE: 1:1
						WEIGHT:
						SHEET 1 OF 1

PROPERTY OF

PPI IS NOT RESPONSIBLE FOR PRODUCT COMPATABILITY.
NOT ALL MATERIALS ARE SUITABLE FOR ALL APPLICATIONS.



PARKWAY PLASTICS

IT IS THE BUYER'S SOLE RESPONSIBILITY TO TEST THE COMPATIBILITY OF
THEIR PRODUCTS WITH PARKWAY'S PRODUCTS & SERVICES.

**58MM RW CLEAR PVC SHRINK SLEEVE
96MM X 27MM**



UNCONTROLLED COPY