

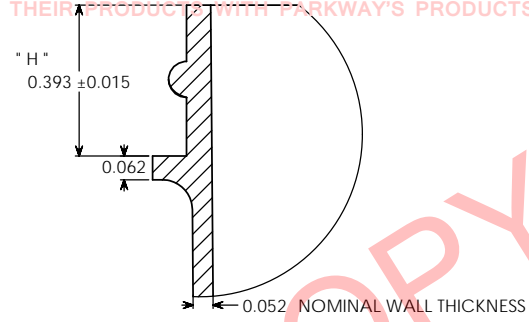
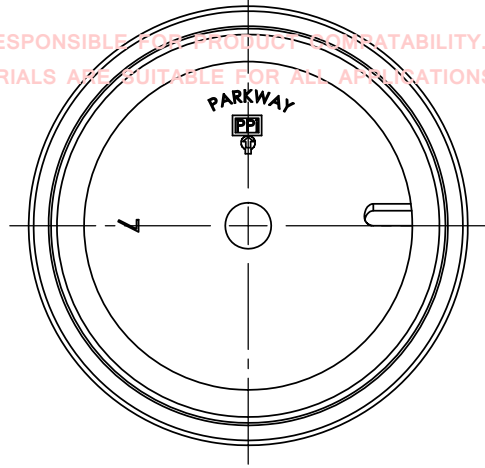
PROPERTY OF

PPI IS NOT RESPONSIBLE FOR PRODUCT COMPATIBILITY.
NOT ALL MATERIALS ARE SUITABLE FOR ALL APPLICATIONS.

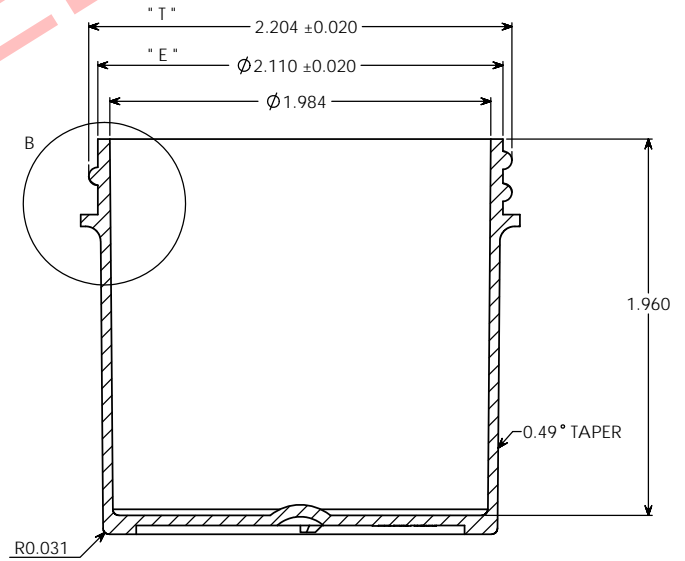
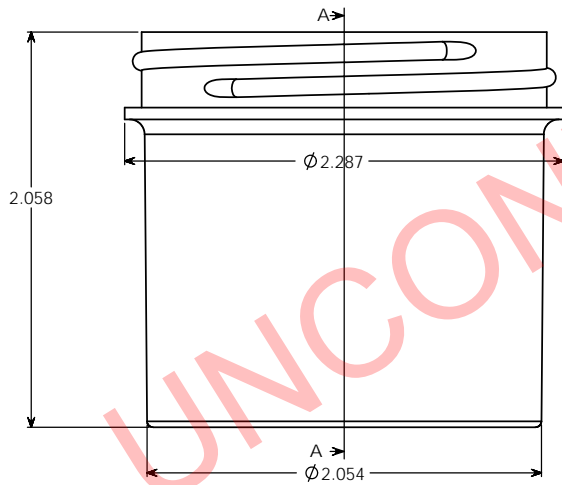


PARKWAY PLASTICS

IT IS THE BUYER'S SOLE RESPONSIBILITY TO TEST THE COMPATIBILITY
OF THEIR PRODUCTS WITH PARKWAY'S PRODUCTS & SERVICES.



DETAIL B
SCALE 4:1



SECTION A-A

NOTE

Manufacturer reserves the right to change specifications without notice. All purchase order for the item herein described, must be accompanied by a copy of this print. All dimensions have a tolerance of +/- 3% unless otherwise specified.
SIDEWALL CAMBER .050" PER SIDE MAX.
THREAD = GCM1 400- CT FINISH
6 THREADS PER INCH.

OVERFLOW: 99 ML
WEIGHT: 16 GRAMS ± 2 GRAMS

UNCONTROLLED COPY

PROPRIETARY AND CONFIDENTIAL
THE INFORMATION CONTAINED IN THIS DRAWING IS THE SOLE PROPERTY OF PARKWAY PLASTICS INC. ANY REPRODUCTION IN PART OR AS A WHOLE WITHOUT THE WRITTEN PERMISSION OF PARKWAY PLASTICS INC IS PROHIBITED.

* T * DIMENSION	2.204 ± 0.020	UNLESS OTHERWISE SPECIFIED:	NAME	DATE	PARKWAY PLASTICS INC TITLE: 3 OZ 58 MM REGULAR WALL WHITE POLYPROPYLENE JAR (CUSTOMER PRINT)	
* E * DIMENSION	2.110 ± 0.020	DIMENSIONS ARE IN INCHES TOLERANCES: FRACTIONAL ± ANGULAR MATCH ± BEND ± TWO PLACE DECIMAL ± THREE PLACE DECIMAL ±	DRAWN	G.W.W		01/16/13
* H * DIMENSION	0.393 ± 0.015		CHECKED			
SECTION VIEW A - A	JAR		ENG APPR			
DETAIL VIEW B	* H * DIMENSION	S11	MFG APPR			
		MATERIAL	D.A.			
		COLOR/GRANT	COMMENTS:			
		61 WHITE				
		FINISH				
		NA				
		APPLICATION				
		DO NOT SCALE DRAWING				

SIZE	DWG. NO.	REV
C	A0580300PPW	
SCALE: 2:1	WEIGHT:	SHEET 1 OF 1