

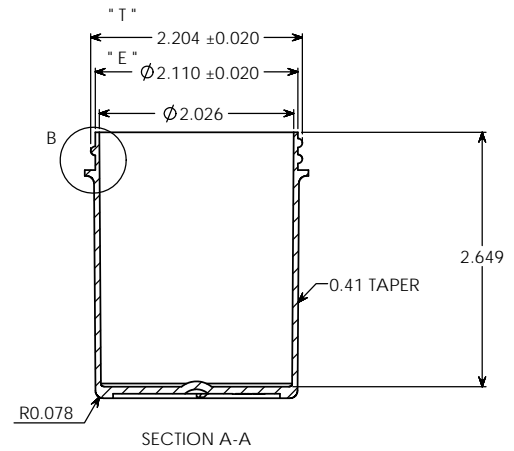
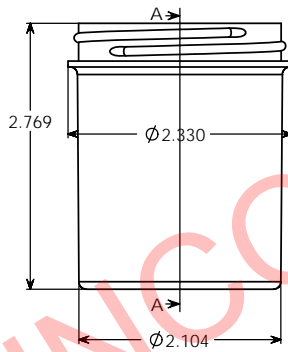
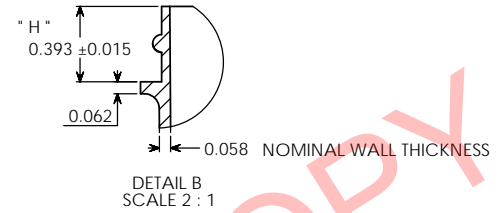
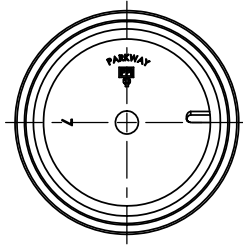
PROPERTY OF

PPI IS NOT RESPONSIBLE FOR PRODUCT COMPATABILITY.
NOT ALL MATERIALS ARE SUITABLE FOR ALL APPLICATIONS.



PARKWAY PLASTICS

IT IS THE BUYER'S SOLE RESPONSIBILITY TO TEST THE COMPATIBILITY
OF THEIR PRODUCTS WITH PARKWAY'S PRODUCTS & SERVICES.



UNCONTROLLED COPY

NOTE

Manufacturer reserves the right to change specifications without notice. All purchase order for the item herein described, must be accompanied by a copy of this print. All dimensions have a tolerance of +/- 3 % unless otherwise specified.
SIDEWALL CAMBER .050" PER SIDE MAX.
THREAD = GCM1 400- CT FINISH
6 THREADS PER INCH.

OVERFLOW: 140 ML
WEIGHT: 22.5 GRAMS ± 2 GRAMS

PROPRIETARY AND CONFIDENTIAL
THE INFORMATION CONTAINED IN THIS DRAWING IS THE SOLE PROPERTY OF PARKWAY PLASTICS INC. ANY REPRODUCTION IN PART OR AS A WHOLE WITHOUT THE WRITTEN PERMISSION OF PARKWAY PLASTICS INC IS PROHIBITED.

* T * DIMENSION	2.204 ± 0.020	UNLESS OTHERWISE SPECIFIED:	NAME	DATE	PARKWAY PLASTICS INC
* E * DIMENSION	2.110 ± 0.020	DIMENSIONS ARE IN INCHES	G.W.W	01/17/13	
* H * DIMENSION	0.393 ± 0.015	TOLERANCES:	CHECKED		
SECTION VIEW A-A	JAR	FRACTIONAL ±	ENG APPR		
DETAIL VIEW B	* H * DIMENSION	ANGULAR MATCH ± BEND ±	MFG APPR		TITLE:
		TWO PLACE DECIMAL ±	D/A		4 OZ 58 MM REGULAR WALL
		THREE PLACE DECIMAL ±	COMMENTS:		STYRENE JAR
			REPLACES PRINT # 458SRWJ		(CUSTOMER PRINT)
NEXT ASSY	USED ON	MATERIAL	U11		SIZE DWG. NO.
		COLOR/GRN	NA		C A0580400CSC
		DECORATION	NA		REV
APPLICATION	DO NOT SCALE DRAWING				SCALE: 1:1 WEIGHT: SHEET 1 OF 1