

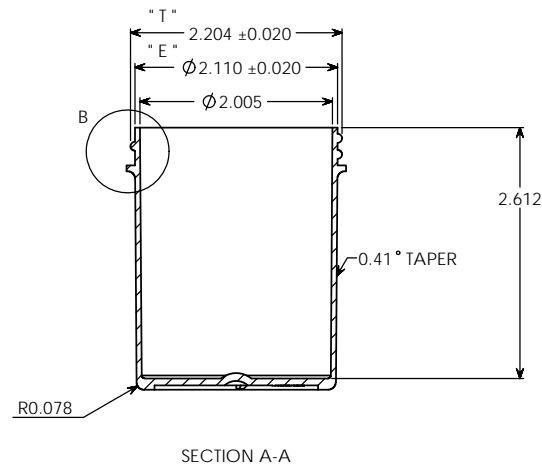
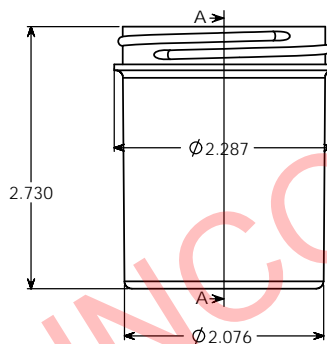
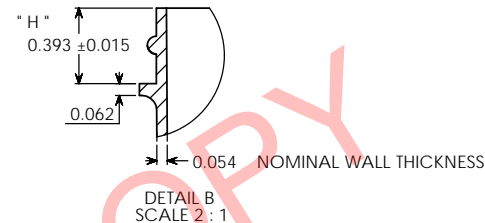
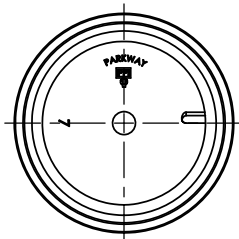
PROPERTY OF

PPI IS NOT RESPONSIBLE FOR PRODUCT COMPATABILITY.
NOT ALL MATERIALS ARE SUITABLE FOR ALL APPLICATIONS.



PARKWAY PLASTICS

IT IS THE BUYER'S SOLE RESPONSIBILITY TO TEST THE COMPATIBILITY
OF THEIR PRODUCTS WITH PARKWAY'S PRODUCTS & SERVICES.



UNCONTROLLED COPY

NOTE

Manufacturer reserves the right to change specifications without notice. All purchase order for the item herein described, must be accompanied by a copy of this print. All dimensions have a tolerance of +/- 3 % unless otherwise specified.
SIDEWALL CAMBER .050" PER SIDE MAX.
THREAD = GCM1 400- CT FINISH
6 THREADS PER INCH.

OVERFLOW: 131 ML
WEIGHT: 18.5 GRAMS ± 2 GRAMS

PROPRIETARY AND CONFIDENTIAL
THE INFORMATION CONTAINED IN THIS DRAWING IS THE SOLE PROPERTY OF PARKWAY PLASTICS INC. ANY REPRODUCTION IN PART OR AS A WHOLE WITHOUT THE WRITTEN PERMISSION OF PARKWAY PLASTICS INC IS PROHIBITED.

* T * DIMENSION	2.204 ± 0.020	UNLESS OTHERWISE SPECIFIED: DIMENSIONS ARE IN INCHES TOLERANCES: FRACTIONAL ± ANGULAR: MACH ± BEND ± TWO PLACE DECIMAL ± THREE PLACE DECIMAL ±	NAME	DATE	PARKWAY PLASTICS INC	
* E * DIMENSION	2.110 ± 0.020		DRAWN	G.W.W		01/18/13
* H * DIMENSION	0.393 ± 0.015	CHECKED				TITLE:
SECTION VIEW A - A	JAR	ENG APPR				4 OZ 58 MM REGULAR WALL POLYPROPYLENE JAR (CUSTOMER PRINT)
DETAIL VIEW B	* H * DIMENSION	MATERIAL	S10-01	D.A.	REV	
		COLORANT	NA	COMMENTS:	REPLACES PRINT # 458PPRWJ	
		DECORATION	NA		SCALE: 1:1	
NEXT ASSY	USED ON	APPLICATION	DO NOT SCALE DRAWING		WEIGHT:	
					SHEET 1 OF 1	