

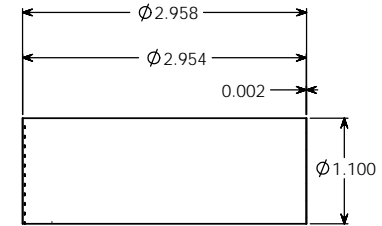
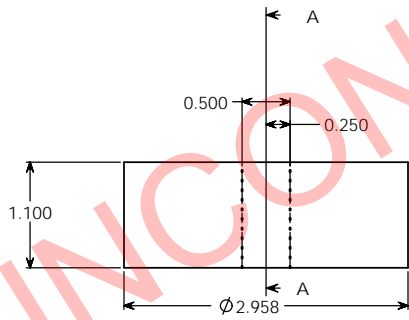
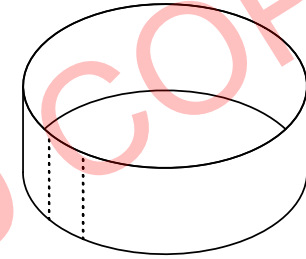
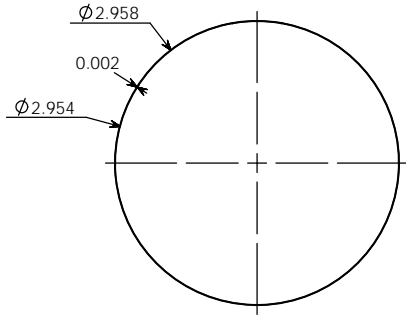
**PROPERTY OF**

PPI IS NOT RESPONSIBLE FOR PRODUCT COMPATABILITY.  
NOT ALL MATERIALS ARE SUITABLE FOR ALL APPLICATIONS.



**PARKWAY PLASTICS**

IT IS THE BUYER'S SOLE RESPONSIBILITY TO TEST THE COMPATIBILITY OF  
THEIR PRODUCTS WITH PARKWAY'S PRODUCTS & SERVICES.



SECTION A-A

**NOTE:**

SHRINKSLEEVES ARE SHIPPED  
PRESSED FLAT WITH SPECIFIC WIDTH  
& HEIGHT MEASUREMENTS. EACH  
MEASUREMENT HAS A TOLERANCE  
OF +/- .125 INCHES (3.175 MM).

**PROPRIETARY AND CONFIDENTIAL**  
THE INFORMATION CONTAINED IN THIS  
DRAWING IS THE SOLE PROPERTY OF  
PARKWAY PLASTICS INC. ANY  
REPRODUCTION IN PART OR AS A WHOLE  
WITHOUT THE WRITTEN PERMISSION OF  
PARKWAY PLASTICS INC IS PROHIBITED.

WIDTH	HEIGHT	UNLESS OTHERWISE SPECIFIED:	DRAWN	NAME	DATE	PARKWAY PLASTICS INC
118MM	28MM	DIMENSIONS ARE IN INCHES	S.P.		02/03/15	
		TOLERANCES:	CHECKED			
		FRACTIONAL ±	ENG APPR			
		ANGULAR: MATCH ± BEND ±	MFG APPR			TITLE:
		TWO PLACE DECIMAL ±	D.A.			70MM RW CLEAR PVC
		THREE PLACE DECIMAL ±	COMMENTS:			SHRINK SLEEVE
		INTERPRET GEOMETRIC				SIZE
		TOLERANCING PER:				DWG. NO.
		MATERIAL				A070 Shrink Sleeve
		FINISH				REV
NEXT ASSY	USED ON	APPLICATION				SCALE: 1:1
		DO NOT SCALE DRAWING				WEIGHT:
						SHEET 1 OF 1

**PROPERTY OF**

PPI IS NOT RESPONSIBLE FOR PRODUCT COMPATABILITY.  
NOT ALL MATERIALS ARE SUITABLE FOR ALL APPLICATIONS.



**PARKWAY PLASTICS**

IT IS THE BUYER'S SOLE RESPONSIBILITY TO TEST THE COMPATIBILITY OF  
THEIR PRODUCTS WITH PARKWAY'S PRODUCTS & SERVICES.

**70MM RW CLEAR PVC SHRINK SLEEVE  
118MM X 28MM**



UNCONTROLLED COPY