

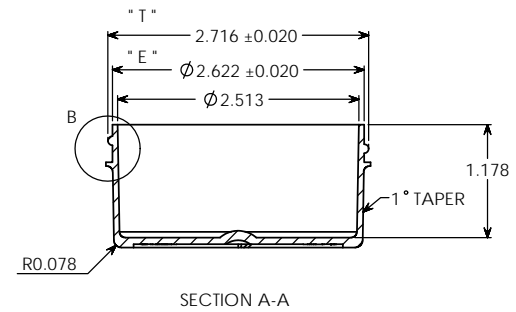
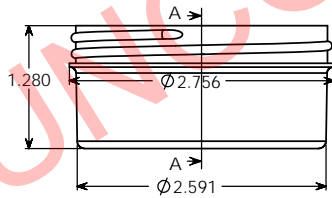
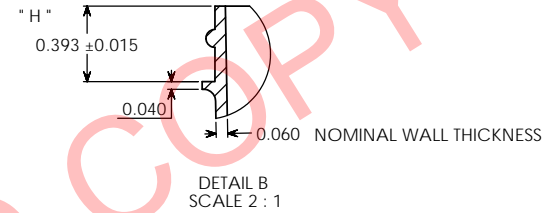
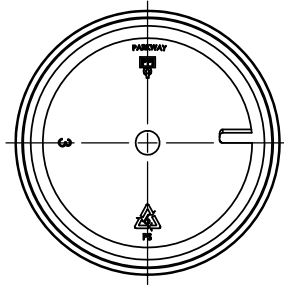
PROPERTY OF

PPI IS NOT RESPONSIBLE FOR PRODUCT COMPATABILITY.
NOT ALL MATERIALS ARE SUITABLE FOR ALL APPLICATIONS.



PARKWAY PLASTICS

IT IS THE BUYER'S SOLE RESPONSIBILITY TO TEST THE COMPATIBILITY
OF THEIR PRODUCTS WITH PARKWAY'S PRODUCTS & SERVICES.



NOTE

Manufacturer reserves the right to change specifications without notice. All purchase order for the item herein described, must be accompanied by a copy of this print. All dimensions have a tolerance of +/- 3 % unless otherwise specified.
SIDEWALL CAMBER .050" PER SIDE MAX.
THREAD = GCM1 400- CT FINISH
6 THREADS PER INCH.

OVERFLOW VOLUME: 90ML
WEIGHT: 17.5 GRAMS ± 2 GRAMS

UNCONTROLLED COPY

PROPRIETARY AND CONFIDENTIAL
THE INFORMATION CONTAINED IN THIS DRAWING IS THE SOLE PROPERTY OF
-INSERT COMPANY NAME HERE- ANY REPRODUCTION IN PART OR AS A WHOLE WITHOUT THE WRITTEN PERMISSION OF -INSERT COMPANY NAME HERE- IS PROHIBITED.

* T * DIMENSION	2.716 ± 0.020	UNLESS OTHERWISE SPECIFIED:	NAME	DATE	PARKWAY PLASTICS INC	
* E * DIMENSION	2.622 ± 0.020	DIMENSIONS ARE IN INCHES	DRAWN	G.W.W		11/16/12
* H * DIMENSION	0.393 ± 0.015	FRACTIONAL * ANGULAR * MACH * BEND * TWO PLACE DECIMAL * THREE PLACE DECIMAL *	UPDATED	G.W.W		01/23/13
SECTION VIEW A - A	JAR	MATERIAL	ENG APPR			
DETAIL VIEW B	* H * DIMENSION	U11	D.A.			
NEXT ASSY	USED ON	COLOR/ANI	COMMENTS:			
		DECORATION	REPLACES PRINT # 270RWSJ			
APPLICATION	DO NOT SCALE DRAWING					

TITLE:	2 OZ 70 MM REGULAR WALL STYRENE JAR (CUSTOMER PRINT)	
SIZE	DWG. NO.	REV
C	A0700200CSC	
SCALE: 1:1	WEIGHT:	SHEET 1 OF 1