

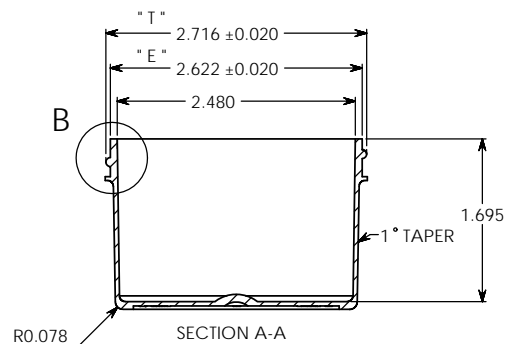
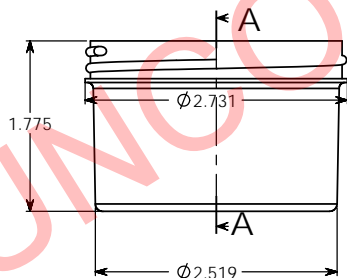
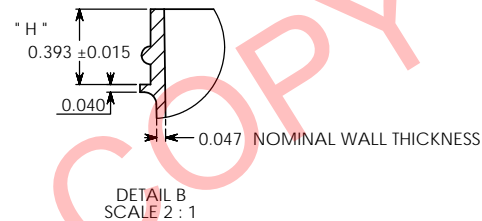
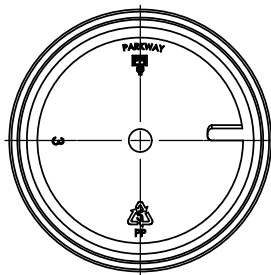
PROPERTY OF

PPI IS NOT RESPONSIBLE FOR PRODUCT COMPATABILITY.  
NOT ALL MATERIALS ARE SUITABLE FOR ALL APPLICATIONS.



PARKWAY PLASTICS

IT IS THE BUYER'S SOLE RESPONSIBILITY TO TEST THE COMPATIBILITY OF  
THEIR PRODUCTS WITH PARKWAY'S PRODUCTS & SERVICES.



NOTE

Manufacturer reserves the right to change specifications without notice. All purchase order for the item herein described, must be accompanied by a copy of this print. All dimensions have a tolerance of +/- 3% unless otherwise specified.  
SIDEWALL CAMBER .050" PER SIDE MAX.  
THREAD = GCM1 400- CT FINISH  
6 THREADS PER INCH.

OVERFLOW VOLUME: 131 ML  
WEIGHT: 15.1 GRAMS ± 2 GRAMS

PROPRIETARY AND CONFIDENTIAL  
THE INFORMATION CONTAINED IN THIS DRAWING IS THE SOLE PROPERTY OF PARKWAY PLASTICS INC. ANY REPRODUCTION IN PART OR AS A WHOLE WITHOUT THE WRITTEN PERMISSION OF PARKWAY PLASTICS INC IS PROHIBITED.

* T * DIMENSION	2.716 ± 0.020	UNLESS OTHERWISE SPECIFIED: DIMENSIONS ARE IN INCHES TOLERANCES: FRACTIONAL ± ANGULAR MATCH ± BEND ± TWO PLACE DECIMAL ± THREE PLACE DECIMAL ±	NAME	DATE	PARKWAY PLASTICS INC
* E * DIMENSION	2.622 ± 0.020		DRAWN	G. W. W	
* H * DIMENSION	0.393 ± 0.015		CHECKED		TITLE:
SECTION VIEW A-A	JAR		ENG APPR		3 OZ 70 MM REGULAR WALL CLARIFIED POLYPROPYLENE JAR
DETAIL VIEW B	* H * DIMENSION	S10-01	MFG APPR		SIZE
		NA	DIA		DWG. NO.
		NA	COMMENTS:		A0700300PPC
NEXT ASSY	USED ON	DECORATION			REV
					C
APPLICATION	DO NOT SCALE DRAWING				SCALE: 1:1
					SHEET 1 OF 1