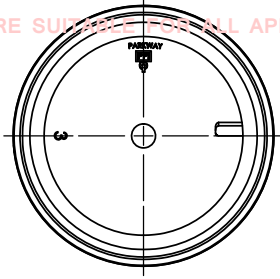


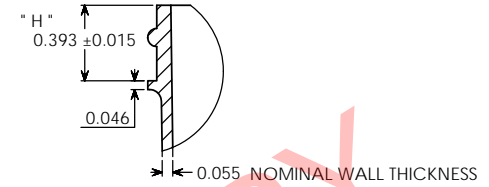
PROPERTY OF

PPI IS NOT RESPONSIBLE FOR PRODUCT COMPATABILITY.
NOT ALL MATERIALS ARE SUITABLE FOR ALL APPLICATIONS.

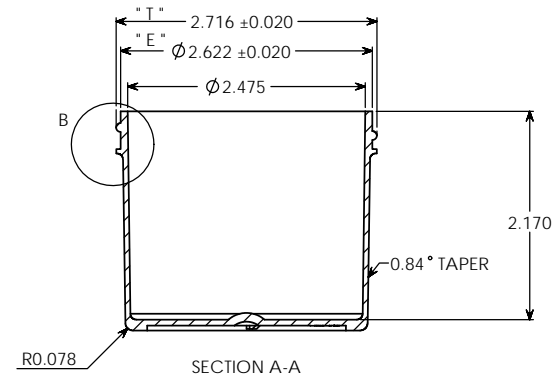
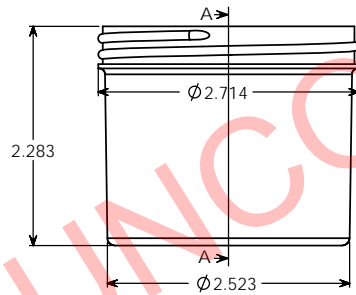


PARKWAY PLASTICS

IT IS THE BUYER'S SOLE RESPONSIBILITY TO TEST THE COMPATIBILITY
OF THEIR PRODUCTS WITH PARKWAY'S PRODUCTS & SERVICES.



DETAIL B
SCALE 2 : 1



UNCONTROLLED COPY

NOTE

=====
Manufacturer reserves the right to
change specifications without notice.
All purchase order for the item herein
described, must be accompanied by
a copy of this print. All dimensions have
a tolerance of +/- 3 % unless otherwise
specified.
SIDEWALL CAMBER .050" PER SIDE MAX.
THREAD = GCM1 400- CT FINISH
6 THREADS PER INCH.

OVERFLOW: 170 ML
WEIGHT: 22 GRAMS ± 2 GRAMS

PROPRIETARY AND CONFIDENTIAL
THE INFORMATION CONTAINED IN THIS
DRAWING IS THE SOLE PROPERTY OF
PARKWAY PLASTICS INC. ANY
REPRODUCTION IN PART OR AS A WHOLE
WITHOUT THE WRITTEN PERMISSION OF
PARKWAY PLASTICS INC IS PROHIBITED.

| | | | | | |
|-----------------------|----------------------|--|--------|-------|--|
| "T" DIMENSION | 2.716 ± 0.020 | UNLESS OTHERWISE SPECIFIED: DIMENSIONS ARE IN INCHES TOLERANCES: FRACTIONAL ± ANGULAR MATCH ± BEND ± TWO PLACE DECIMAL ± THREE PLACE DECIMAL ± | NAME | DATE | PARKWAY PLASTICS INC TITLE: 4 OZ 70 MM REGULAR WALL POLYPROPYLENE JAR (CUSTOMER PRINT) |
| "E" DIMENSION | 2.622 ± 0.020 | | DRAWN | G.W.W | |
| "H" DIMENSION | 0.393 ± 0.015 | CHECKED | | | |
| SECTION VIEW A - A | JAR | ENG APPR | | | |
| DETAIL VIEW B | "H" DIMENSION | MATERIAL | S10-01 | | COMMENTS: |
| | | COLORANT | NA | | REPLACES PRINT # 470PPRW |
| | | DECORATION | NA | | SIZE DWG. NO. REV |
| NEXT ASSY | USED ON | | | | C A0700400PPC |
| APPLICATION | DO NOT SCALE DRAWING | | | | SCALE: 1:1 WEIGHT: SHEET 1 OF 1 |