

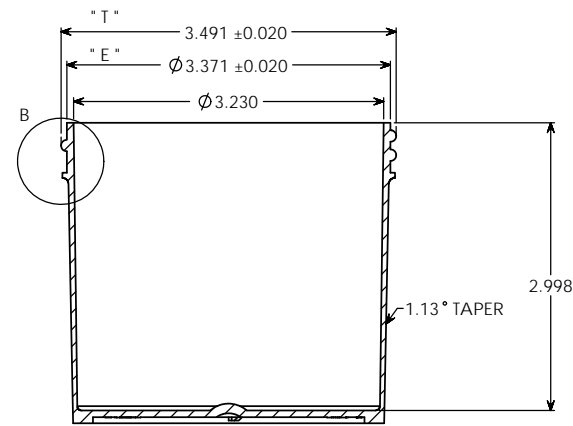
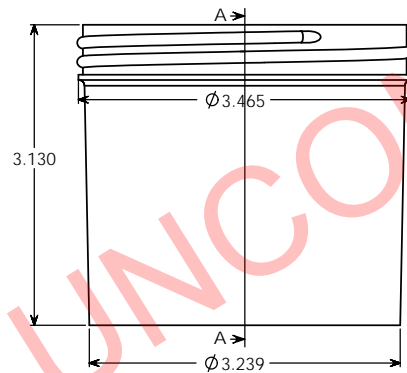
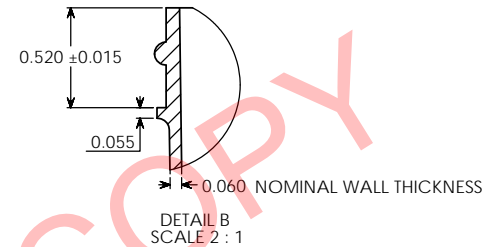
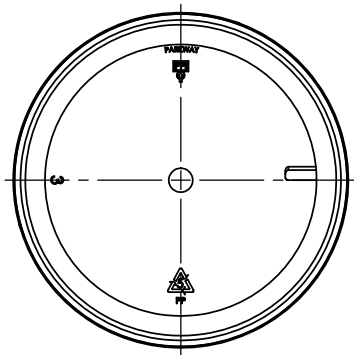
PROPERTY OF

PPI IS NOT RESPONSIBLE FOR PRODUCT COMPATABILITY.
NOT ALL MATERIALS ARE SUITABLE FOR ALL APPLICATIONS.



PARKWAY PLASTICS

IT IS THE BUYER'S SOLE RESPONSIBILITY TO TEST THE COMPATIBILITY OF THEIR PRODUCTS WITH PARKWAY'S PRODUCTS & SERVICES.



SECTION A-A

NOTE

Manufacturer reserves the right to change specifications without notice. All purchase order for the item herein described, must be accompanied by a copy of this print. All dimensions have a tolerance of +/- 3% unless otherwise specified.
SIDEWALL CAMBER .050" PER SIDE MAX.
THREAD = GCM1 400- CT FINISH
5 THREADS PER INCH.

OVERFLOW: 400 ML
WEIGHT: 37 GRAMS ± 4 GRAMS

UNCONTROLLED COPY

PROPRIETARY AND CONFIDENTIAL
THE INFORMATION CONTAINED IN THIS DRAWING IS THE SOLE PROPERTY OF PARKWAY PLASTICS INC. ANY REPRODUCTION IN PART OR AS A WHOLE WITHOUT THE WRITTEN PERMISSION OF PARKWAY PLASTICS INC IS PROHIBITED.

"T" DIMENSION	3.491 ± 0.020	UNLESS OTHERWISE SPECIFIED: DIMENSIONS ARE IN INCHES TOLERANCES: FRACTIONAL ± ANGULAR MATCH ± BEND ± TWO PLACE DECIMAL ± THREE PLACE DECIMAL ±	NAME	DATE
"E" DIMENSION	3.371 ± 0.020		G.W.W	02/02/13
"H" DIMENSION	0.520 ± 0.015		CHECKED	
SECTION VIEW A-A	JAR		ENG APPR	
DETAIL VIEW B	"H" DIMENSION	MATERIAL S10-01	DIA	
		COLORANT	COMMENTS	
NEXT ASSY	USED ON	DECORATION	REPLACES PRINT # 1289PPRW	
APPLICATION		DO NOT SCALE DRAWING		

PARKWAY PLASTICS INC		
TITLE: 12 OZ 89 MM REGULAR WALL POLYPROPYLENE JAR (CUSTOMER PRINT)		
SIZE	DWG. NO.	REV
C	A0891200PPC	
SCALE: 1:1	WEIGHT:	SHEET 1 OF 1