

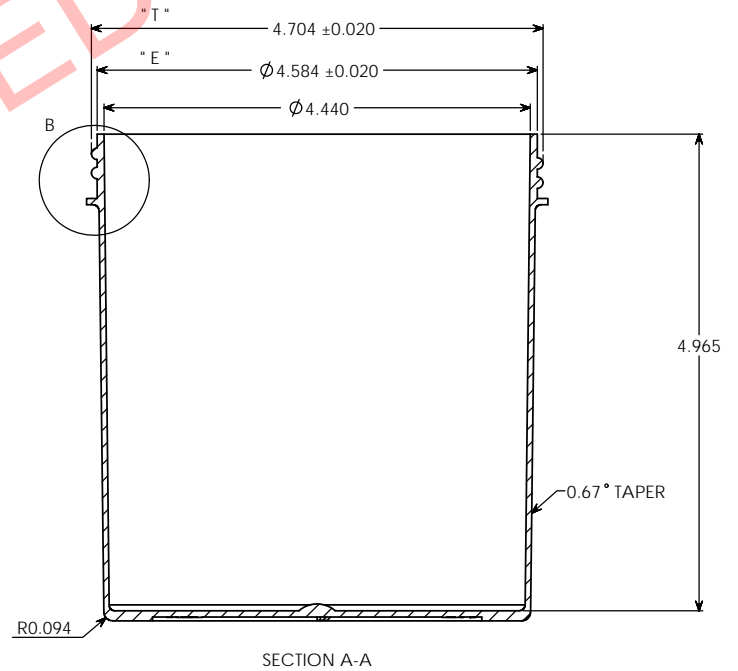
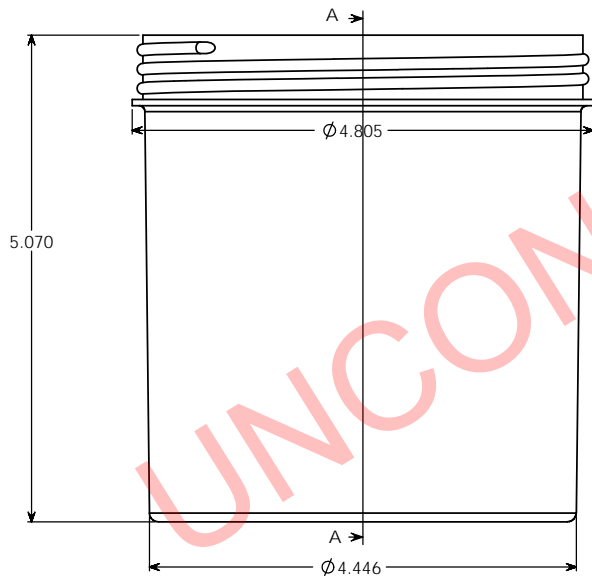
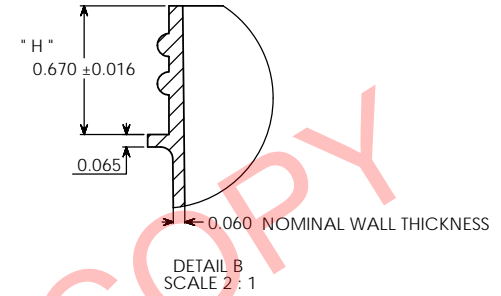
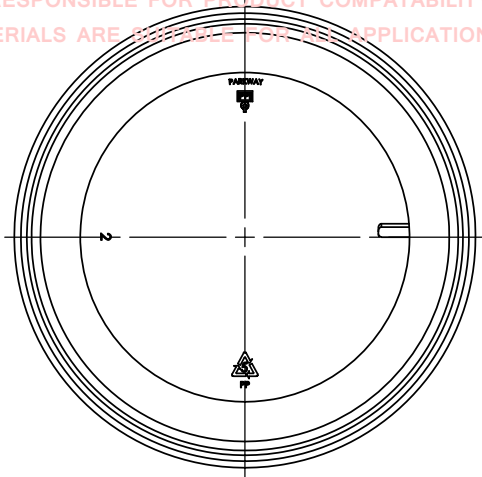
PROPERTY OF

PPI IS NOT RESPONSIBLE FOR PRODUCT COMPATABILITY.
NOT ALL MATERIALS ARE SUITABLE FOR ALL APPLICATIONS.



PARKWAY PLASTICS

IT IS THE BUYER'S SOLE RESPONSIBILITY TO TEST THE COMPATIBILITY
OF THEIR PRODUCTS WITH PARKWAY'S PRODUCTS & SERVICES.



UNCONTROLLED COPY

NOTE

Manufacturer reserves the right to change specifications without notice. All purchase order for the item herein described, must be accompanied by a copy of this print. All dimensions have a tolerance of +/- 3% unless otherwise specified.
SIDEWALL CAMBER .050" PER SIDE MAX.
THREAD = GCM1 400- CT FINISH
5 THREADS PER INCH.

OVERFLOW: 1250 ML
WEIGHT: 86 GRAMS ± 5 GRAMS

PROPRIETARY AND CONFIDENTIAL
THE INFORMATION CONTAINED IN THIS DRAWING IS THE SOLE PROPERTY OF PARKWAY PLASTICS INC. ANY REPRODUCTION IN PART OR AS A WHOLE WITHOUT THE WRITTEN PERMISSION OF PARKWAY PLASTICS INC IS PROHIBITED.

* T * DIMENSION	4.704 ± 0.020	UNLESS OTHERWISE SPECIFIED:	DRAWN	NAME	DATE	PARKWAY PLASTICS INC
* E * DIMENSION	4.584 ± 0.020	DIMENSIONS ARE IN INCHES TOLERANCES: FRACTIONAL ± ANGULAR MATCH ± BEND ± TWO PLACE DECIMAL ± THREE PLACE DECIMAL ±	CHECKED	G.W.W	02/14/13	
* H * DIMENSION	0.670 ± 0.016		ENG APPR			40 OZ 120 MM REGULAR WALL POLYPROPYLENE JAR (CUSTOMER PRINT)
SECTION VIEW A - A	JAR		MFG APPR			SIZE
DETAIL VIEW B	* H * DIMENSION	MATERIAL S10-01	DIA			DWG. NO.
		COLOR/DYAN	COMMENTS			REV
		DECORATION	REPLACES PRINT # N40120PPJ			SCALE: 1:1
NEXT ASSY	USED ON	APPLICATION	DO NOT SCALE DRAWING			WEIGHT:
						SHEET 1 OF 1