

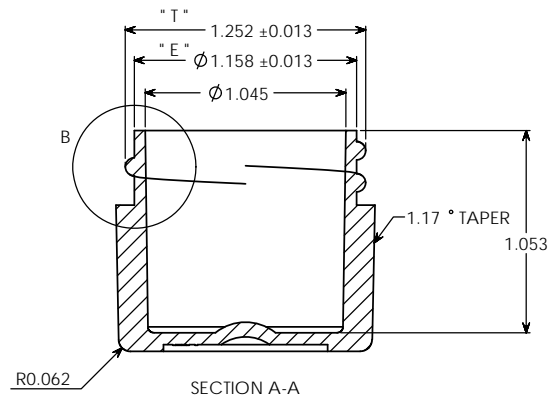
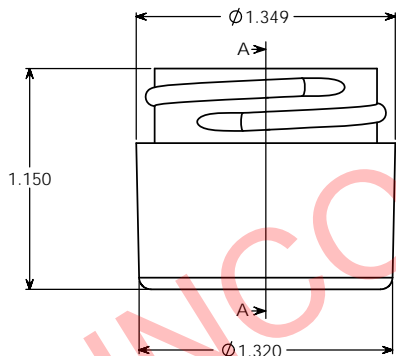
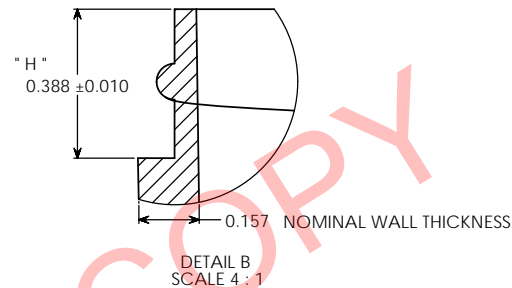
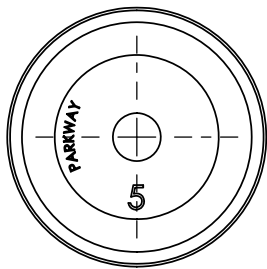
PROPERTY OF

PPI IS NOT RESPONSIBLE FOR PRODUCT COMPATABILITY.
NOT ALL MATERIALS ARE SUITABLE FOR ALL APPLICATIONS.



PARKWAY PLASTICS

IT IS THE BUYER'S SOLE RESPONSIBILITY TO TEST THE COMPATIBILITY
OF THEIR PRODUCTS WITH PARKWAY'S PRODUCTS & SERVICES.



NOTE

=====
Manufacturer reserves the right to
change specifications without notice.
All purchase order for the item herein
described, must be accompanied by
a copy of this print. All dimensions have
a tolerance of +/- 3 % unless otherwise
specified.
SIDEWALL CAMBER .050" PER SIDE MAX.
THREAD = GCM1 400- CT FINISH
6 THREADS PER INCH.

OVERFLOW: 15 ML
WEIGHT: 8.45 GRAMS ± 1 GRAM

PROPRIETARY AND CONFIDENTIAL
THE INFORMATION CONTAINED IN THIS
DRAWING IS THE SOLE PROPERTY OF
PARKWAY PLASTICS INC. ANY
REPRODUCTION IN PART OR AS A WHOLE
WITHOUT THE WRITTEN PERMISSION OF
PARKWAY PLASTICS INC IS PROHIBITED.

* T * DIMENSION	1.252 ± 0.013	UNLESS OTHERWISE SPECIFIED: DIMENSIONS ARE IN INCHES FRACTIONAL * ANGULAR: MATCH * BEND * TWO PLACE DECIMAL * THREE PLACE DECIMAL *	NAME	DATE	PARKWAY PLASTICS INC TITLE: 1/4 OZ 33 MM THICK WALL POLYPROPYLENE JAR (CUSTOMER PRINT)
* E * DIMENSION	1.158 ± 0.013		G.W.W	01/02/13	
* H * DIMENSION	0.388 ± 0.010	CHECKED			
SECTION VIEW A - A	JAR	ENG APPR			
DETAIL VIEW B	* H * DIMENSION	MATERIAL	COMMENTS:		SIZE
		S10-01	REPLACES PRINT # N2533PTW		DWG. NO.
		COLOR/GRANT			REV
		DECORATION			SCALE: 2:1
NEXT ASSY	USED ON	APPLICATION	DO NOT SCALE DRAWING		WEIGHT:
					SHEET 1 OF 1