

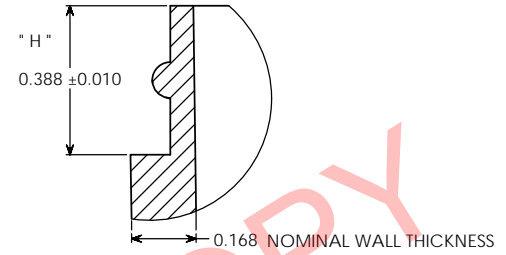
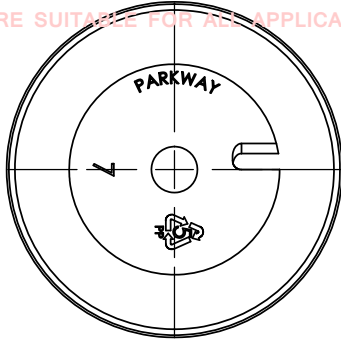
PROPERTY OF

PPI IS NOT RESPONSIBLE FOR PRODUCT COMPATABILITY.  
NOT ALL MATERIALS ARE SUITABLE FOR ALL APPLICATIONS.

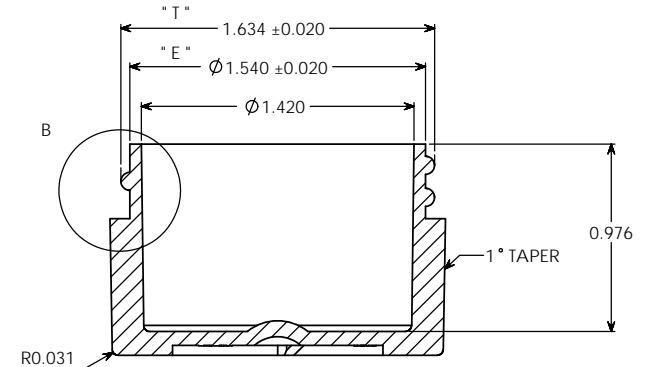
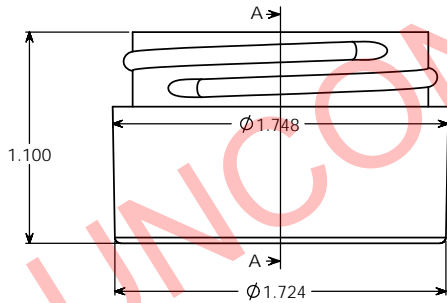


PARKWAY PLASTICS

IT IS THE BUYER'S SOLE RESPONSIBILITY TO TEST THE COMPATIBILITY  
OF THEIR PRODUCTS WITH PARKWAY'S PRODUCTS & SERVICES.



DETAIL B  
SCALE 4 : 1



SECTION A-A

NOTE

=====  
Manufacturer reserves the right to change specifications without notice. All purchase order for the item herein described, must be accompanied by a copy of this print. All dimensions have a tolerance of +/- 3 % unless otherwise specified.  
SIDEWALL CAMBER .050" PER SIDE MAX.  
THREAD = GCM1 400- CT FINISH  
6 THREADS PER INCH.

OVERFLOW: 25 ML  
WEIGHT: 12 GRAMS ± 2 GRAMS

PROPRIETARY AND CONFIDENTIAL  
THE INFORMATION CONTAINED IN THIS DRAWING IS THE SOLE PROPERTY OF PARKWAY PLASTICS INC. ANY REPRODUCTION IN PART OR AS A WHOLE WITHOUT THE WRITTEN PERMISSION OF PARKWAY PLASTICS INC IS PROHIBITED.

* T * DIMENSION	1.634 ± 0.020	UNLESS OTHERWISE SPECIFIED:	NAME	DATE	PARKWAY PLASTICS INC	
* E * DIMENSION	1.540 ± 0.020	DIMENSIONS ARE IN INCHES	DRAWN	G.W.W		01/05/13
* H * DIMENSION	0.388 ± 0.010	TOLERANCES:	CHECKED			
SECTION VIEW A-A	JAR	FRACTIONAL ± ANGULAR MATCH ± BEND ± TWO PLACE DECIMAL * THREE PLACE DECIMAL *	ENG APPR			
DETAIL VIEW B	* H * DIMENSION	MATERIAL	MFG APPR			
		S10-01	D.A.			
		COLOR/GRN	COMMENTS	REPLACES PRINT # 1543PTWJ		
		DECORATION		SIZE	DWG. NO.	
NEXT ASSY	USED ON	NA		C	B0430050PPC	
APPLICATION	DO NOT SCALE DRAWING			SCALE: 2:1	WEIGHT:	
					SHEET 1 OF 1	

UNCONTROLLED COPY