

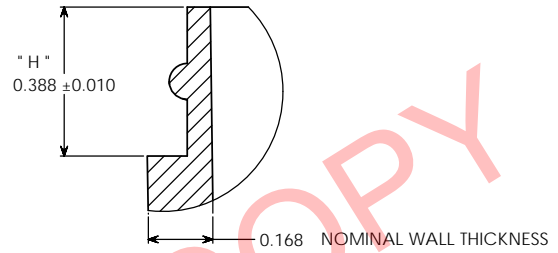
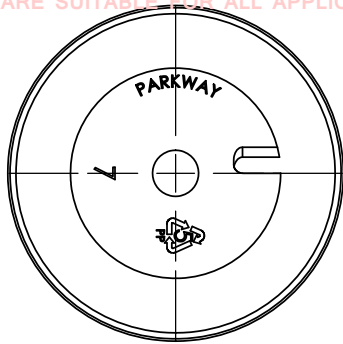
PROPERTY OF

PPI IS NOT RESPONSIBLE FOR PRODUCT COMPATABILITY.
NOT ALL MATERIALS ARE SUITABLE FOR ALL APPLICATIONS.

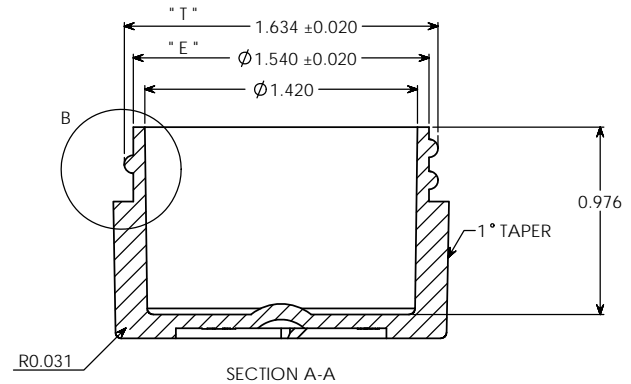
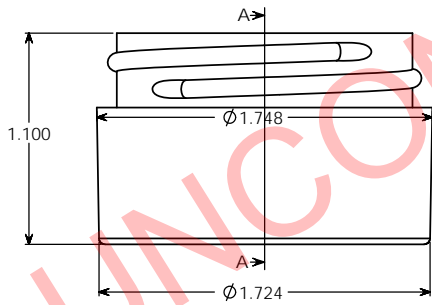


PARKWAY PLASTICS

IT IS THE BUYER'S SOLE RESPONSIBILITY TO TEST THE COMPATIBILITY
OF THEIR PRODUCTS WITH PARKWAY'S PRODUCTS & SERVICES.



DETAIL B
SCALE 4:1



SECTION A-A

NOTE

Manufacturer reserves the right to change specifications without notice. All purchase order for the item herein described, must be accompanied by a copy of this print. All dimensions have a tolerance of +/- 3 % unless otherwise specified.
SIDEWALL CAMBER .050" PER SIDE MAX.
THREAD = GCM1 400- CT FINISH
6 THREADS PER INCH.

OVERFLOW: 25 ML
WEIGHT: 12 GRAMS ± 2 GRAMS

PROPRIETARY AND CONFIDENTIAL
THE INFORMATION CONTAINED IN THIS DRAWING IS THE SOLE PROPERTY OF PARKWAY PLASTICS INC. ANY REPRODUCTION IN PART OR AS A WHOLE WITHOUT THE WRITTEN PERMISSION OF PARKWAY PLASTICS INC IS PROHIBITED.

* T * DIMENSION	1.634 ± 0.020	UNLESS OTHERWISE SPECIFIED:	DRAWN	NAME	DATE	PARKWAY PLASTICS INC
* E * DIMENSION	1.540 ± 0.020	DIMENSIONS ARE IN INCHES	G.W.W		01/07/13	
* H * DIMENSION	0.388 ± 0.010	TOLERANCES:	CHECKED			TITLE:
SECTION VIEW A-A	JAR	FRACTIONAL ±	ENG APPR			1/2 OZ 43 MM THICKWALL
DETAIL VIEW B	* H * DIMENSION	ANGULAR MATCH ± BEND ±	MFG APPR			WHITE POLYPROPYLENE JAR
		TWO PLACE DECIMAL ±	D.A.			(CUSTOMER PRINT)
		THREE PLACE DECIMAL ±	COMMENTS:			SIZE DWG. NO. REV
		MATERIAL				C B0430050PPW
		COLORANT				SCALE: 2:1 WEIGHT: SHEET 1 OF 1
		DECORATION				
NEXT ASSY	USED ON					
		APPLICATION				
		DO NOT SCALE DRAWING				

UNCONTROLLED COPY