

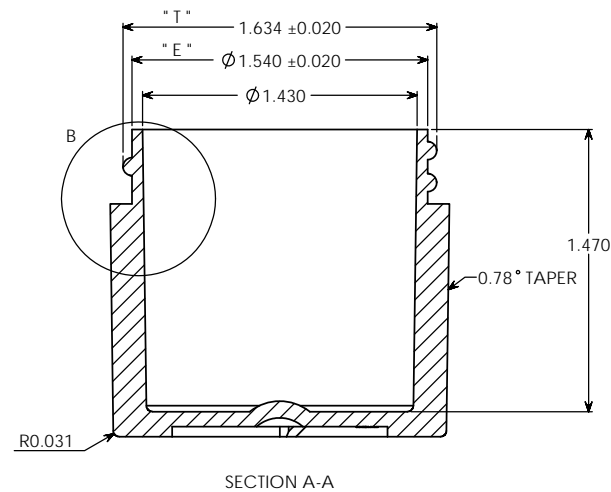
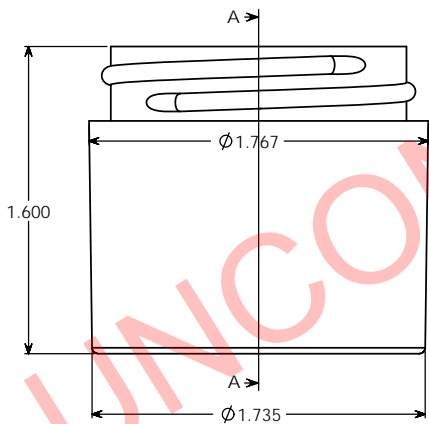
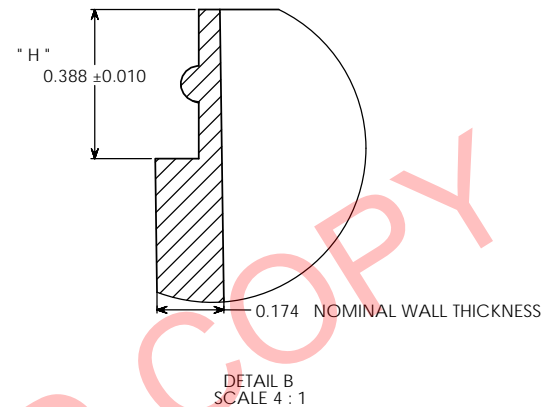
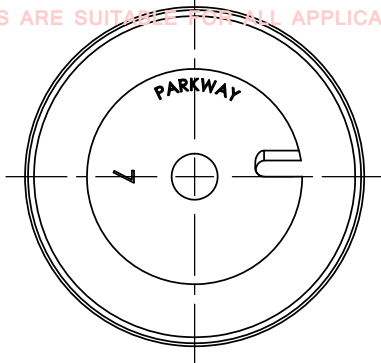
PROPERTY OF

PPI IS NOT RESPONSIBLE FOR PRODUCT COMPATABILITY.  
NOT ALL MATERIALS ARE SUITABLE FOR ALL APPLICATIONS.



PARKWAY PLASTICS

IT IS THE BUYER'S SOLE RESPONSIBILITY TO TEST THE COMPATIBILITY  
OF THEIR PRODUCTS WITH PARKWAY'S PRODUCTS & SERVICES.



NOTE

Manufacturer reserves the right to change specifications without notice. All purchase order for the item herein described, must be accompanied by a copy of this print. All dimensions have a tolerance of +/- 3 % unless otherwise specified.  
SIDEWALL CAMBER .050" PER SIDE MAX.  
THREAD = GCM1 400- CT FINISH  
6 THREADS PER INCH.

OVERFLOW: 37 ML  
WEIGHT: 22 GRAMS ± 3 GRAMS

UNCONTROLLED COPY

PROPRIETARY AND CONFIDENTIAL THE INFORMATION CONTAINED IN THIS DRAWING IS THE SOLE PROPERTY OF PARKWAY PLASTICS INC. ANY REPRODUCTION IN PART OR AS A WHOLE WITHOUT THE WRITTEN PERMISSION OF PARKWAY PLASTICS INC IS PROHIBITED.		DIMENSIONS ARE IN INCHES TOLERANCES: FRACTIONAL ± ANGULAR MATCH ± BEND ± TWO PLACE DECIMAL ± THREE PLACE DECIMAL ±		NAME G.W.W.	DATE 01/08/13	PARKWAY PLASTICS INC  TITLE: 1 OZ 43 MM THICK WALL STYRENE JAR (CUSTOMER PRINT)
* T * DIMENSION 1.634 ± 0.020	* E * DIMENSION 1.540 ± 0.020	* H * DIMENSION 0.388 ± 0.010	CHECKED ENG APPR.	MFG APPR.	COMMENTS: REPLACES PRINT # 143STWJ	
SECTION VIEW A - A JAR	MATERIAL U11	COLOR/DRAWN NA	DECORATION NA	SCALE: 2:1	DWG. NO. B0430100CSC	
DETAIL VIEW B * H * DIMENSION	APPLICATION DO NOT SCALE DRAWING	NEXT ASSY USED ON	SHEET 1 OF 1	WEIGHT:	REV	