

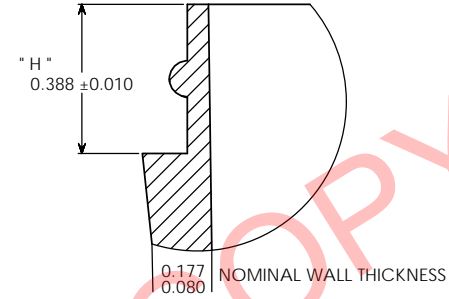
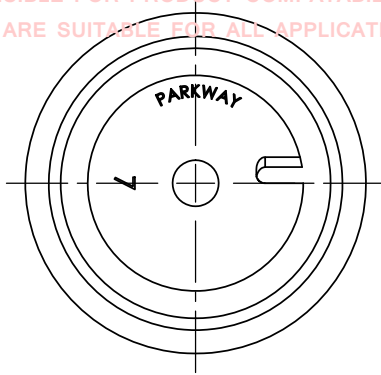
PROPERTY OF

PPI IS NOT RESPONSIBLE FOR PRODUCT COMPATABILITY.  
NOT ALL MATERIALS ARE SUITABLE FOR ALL APPLICATIONS.

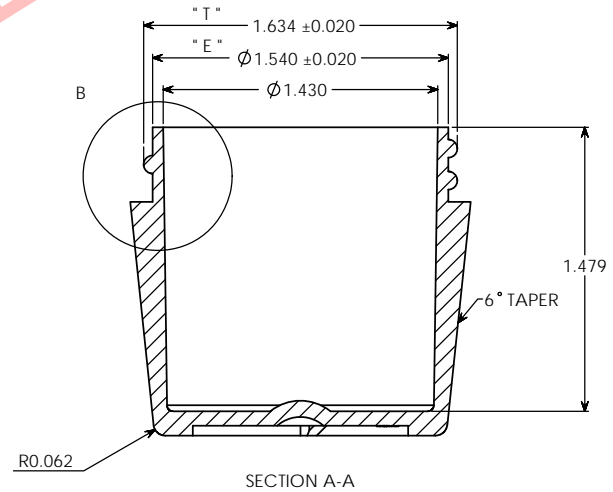
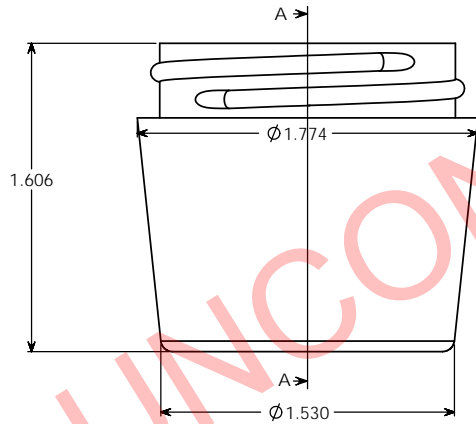


PARKWAY PLASTICS

IT IS THE BUYER'S SOLE RESPONSIBILITY TO TEST THE COMPATIBILITY  
OF THEIR PRODUCTS WITH PARKWAY'S PRODUCTS & SERVICES.



DETAIL B  
SCALE 4 : 1



SECTION A-A

NOTE

Manufacturer reserves the right to change specifications without notice. All purchase order for the item herein described, must be accompanied by a copy of this print. All dimensions have a tolerance of +/- 3 % unless otherwise specified.  
SIDEWALL CAMBER .050" PER SIDE MAX.  
THREAD = GCM1 400- CT FINISH  
6 THREADS PER INCH.

OVERFLOW: 37 ML  
WEIGHT: 17 GRAMS ± 2 GRAMS

UNCONTROLLED COPY

<small>PROPRIETARY AND CONFIDENTIAL</small> THE INFORMATION CONTAINED IN THIS DRAWING IS THE SOLE PROPERTY OF PARKWAY PLASTICS INC. ANY REPRODUCTION IN PART OR AS A WHOLE WITHOUT THE WRITTEN PERMISSION OF PARKWAY PLASTICS INC IS PROHIBITED.		DIMENSIONS ARE IN INCHES		NAME		DATE		PARKWAY PLASTICS INC TITLE: 1 OZ 43 MM TAPERED THICK WALL STYRENE JAR (CUSTOMER PRINT)	
		DIMENSIONS ARE IN INCHES		G.W.W		01/08/13			
* T * DIMENSION	1.634 ± 0.020	TOLERANCES:		DRAWN				SIZE DWG. NO. REV C B0430100CSCT	
* E * DIMENSION	1.540 ± 0.020	FRACTIONAL ±		CHECKED					
* H * DIMENSION	0.388 ± 0.010	ANGULAR MATCH ± BEND ±		ENG APPR				SCALE: 2:1 WEIGHT: SHEET 1 OF 1	
SECTION VIEW A - A	JAR	TWO PLACE DECIMAL ±		MFG APPR					
DETAIL VIEW B	* H * DIMENSION	THREE PLACE DECIMAL ±		DIA				COMMENTS: REPLACES PRINT # 143STWTW	
		MATERIAL U11		USED ON					
		COLOR		APPLICATION					
		DECORATION							
		DO NOT SCALE DRAWING							