

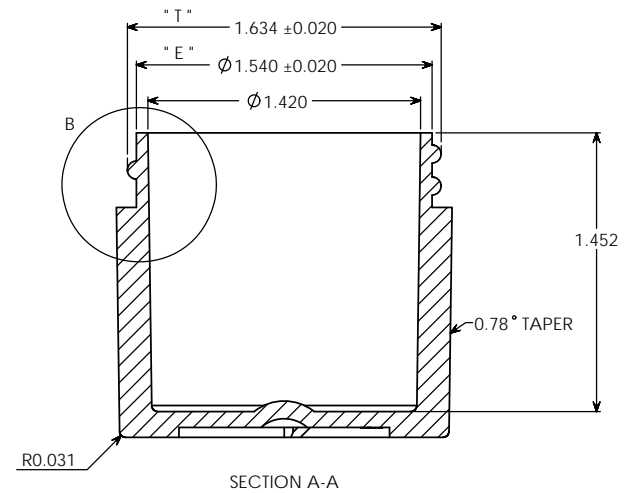
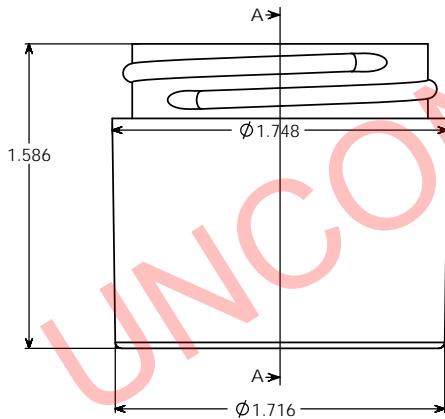
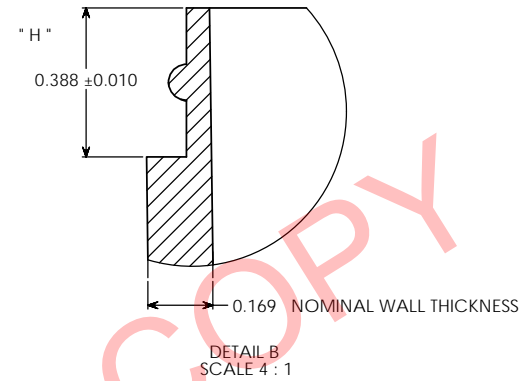
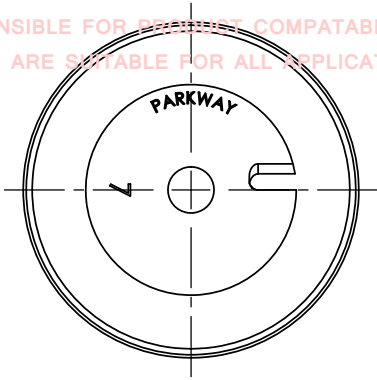
PROPERTY OF

PPI IS NOT RESPONSIBLE FOR PRODUCT COMPATABILITY.
NOT ALL MATERIALS ARE SUITABLE FOR ALL APPLICATIONS.



PARKWAY PLASTICS

IT IS THE BUYER'S SOLE RESPONSIBILITY TO TEST THE COMPATIBILITY
OF THEIR PRODUCTS WITH PARKWAY'S PRODUCTS & SERVICES.



NOTE

Manufacturer reserves the right to change specifications without notice. All purchase order for the item herein described, must be accompanied by a copy of this print. All dimensions have a tolerance of +/- 3% unless otherwise specified.
SIDEWALL CAMBER .050" PER MAX.
THREAD = GCM1 400-CT FINISH
6 THREADS PER INCH.

OVERFLOW: 36 ML
WEIGHT: 18 GRAMS ± 2 GRAMS

PROPRIETARY AND CONFIDENTIAL
THE INFORMATION CONTAINED IN THIS DRAWING IS THE SOLE PROPERTY OF PARKWAY PLASTICS INC. ANY REPRODUCTION IN PART OR AS A WHOLE WITHOUT THE WRITTEN PERMISSION OF PARKWAY PLASTICS INC IS PROHIBITED.

* T * DIMENSION	1.634 ± 0.020	UNLESS OTHERWISE SPECIFIED:	DRAWN	NAME	DATE	PARKWAY PLASTICS INC	
* E * DIMENSION	1.540 ± 0.020	DIMENSIONS ARE IN INCHES	G.W.W		01/08/13		TITLE:
* H * DIMENSION	0.388 ± 0.010	FRACTIONAL ±	CHECKED				1 OZ 43 MM THICKWALL POLYPROPYLENE JAR (CUSTOMER PRINT)
SECTION VIEW A - A	JAR	ANGULAR MATCH ± BEND ±	ENG APPR				SIZE
DETAIL VIEW B	* H * DIMENSION	TWO PLACE DECIMAL ±	MFG APPR			C	
		THREE PLACE DECIMAL ±	D.A.			DWG. NO.	
			COMMENTS			B0430100PPC	
NEXT ASSY	USED ON	MATERIAL				REV	
		S10 - 01				# 143PTWJ	
		COLOR/GRN				SCALE: 2:1	
		DECORATION				WEIGHT:	
		NA				SHEET 1 OF 1	
		DO NOT SCALE DRAWING					

UNCONTROLLED COPY