

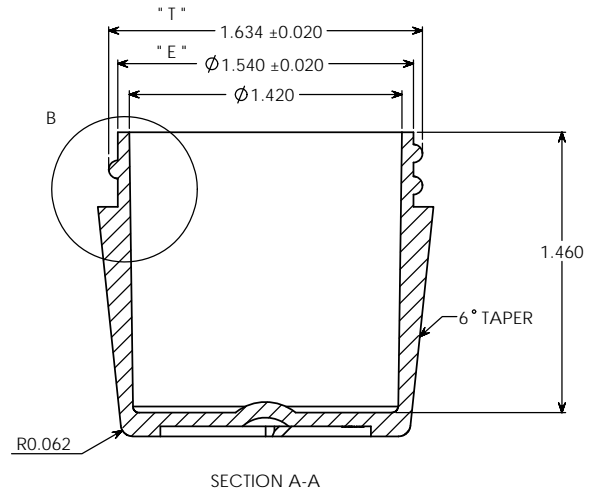
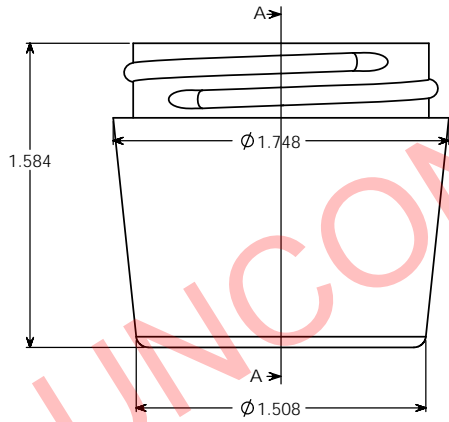
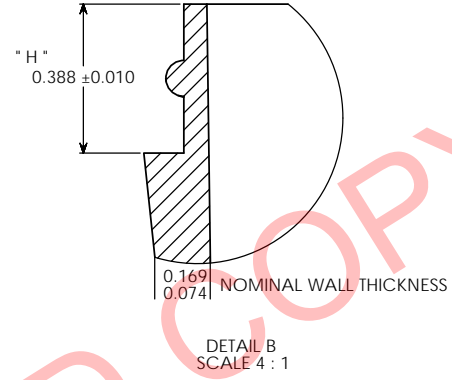
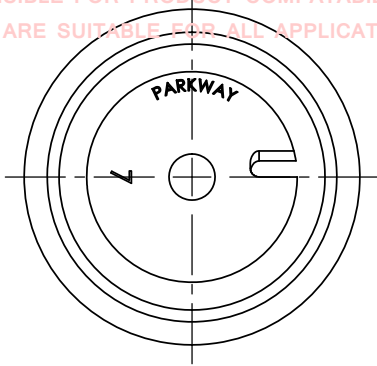
PROPERTY OF

PPI IS NOT RESPONSIBLE FOR PRODUCT COMPATABILITY.  
NOT ALL MATERIALS ARE SUITABLE FOR ALL APPLICATIONS.



PARKWAY PLASTICS

IT IS THE BUYER'S SOLE RESPONSIBILITY TO TEST THE COMPATIBILITY  
OF THEIR PRODUCTS WITH PARKWAY'S PRODUCTS & SERVICES.



NOTE

Manufacturer reserves the right to change specifications without notice. All purchase order for the item herein described, must be accompanied by a copy of this print. All dimensions have a tolerance of +/- 3 % unless otherwise specified.  
SIDEWALL CAMBER .050" PER SIDE MAX.  
THREAD = GCMI 400- CT FINISH  
6 THREADS PER INCH.

OVERFLOW: 37 ML  
WEIGHT: 13.5 GRAMS ± 2 GRAMS

UNCONTROLLED COPY

PROPRIETARY AND CONFIDENTIAL  
THE INFORMATION CONTAINED IN THIS DRAWING IS THE SOLE PROPERTY OF PARKWAY PLASTICS INC. ANY REPRODUCTION IN PART OR AS A WHOLE WITHOUT THE WRITTEN PERMISSION OF PARKWAY PLASTICS INC IS PROHIBITED.

* T * DIMENSION	1.634 ± 0.020	UNLESS OTHERWISE SPECIFIED: DIMENSIONS ARE IN INCHES TOLERANCES: FRACTIONAL ± ANGULAR MATCH ± BEND ± TWO PLACE DECIMAL ± THREE PLACE DECIMAL ±	NAME	DATE	PARKWAY PLASTICS INC TITLE: 1 OZ 43 MM TAPERED THICK WALL WHITE POLYPROPYLENE JAR (CUSTOMER PRINT)	
* E * DIMENSION	1.540 ± 0.020		DRAWN	G.W.W		01/08/13
* H * DIMENSION	0.388 ± 0.010		CHECKED			
SECTION VIEW A - A	JAR		ENG APPR			
DETAIL VIEW B	* H * DIMENSION	MATERIAL	S11		DIA:	
		COLORANT	61 WHITE		COMMENTS:	
		DECORATION	NA			
NEXT ASSY	USED ON				SIZE DWG. NO. REV	
		APPLICATION	DO NOT SCALE DRAWING		C B0430100PPWT	
					SCALE: 2:1 WEIGHT: SHEET 1 OF 1	