

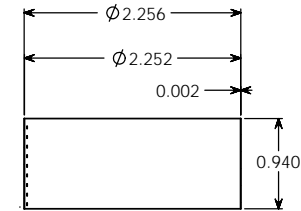
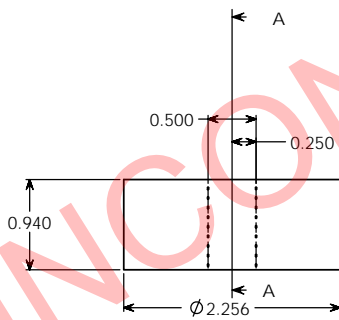
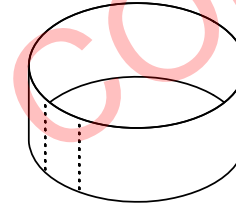
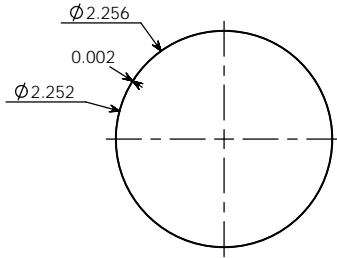
**PROPERTY OF**

PPI IS NOT RESPONSIBLE FOR PRODUCT COMPATABILITY.  
NOT ALL MATERIALS ARE SUITABLE FOR ALL APPLICATIONS.



**PARKWAY PLASTICS**

IT IS THE BUYER'S SOLE RESPONSIBILITY TO TEST THE COMPATIBILITY OF  
THEIR PRODUCTS WITH PARKWAY'S PRODUCTS & SERVICES.



SECTION A-A

**NOTE:**

SHRINKSLEEVES ARE SHIPPED  
PRESSED FLAT WITH SPECIFIC WIDTH  
& HEIGHT MEASUREMENTS. EACH  
MEASUREMENT HAS A TOLERANCE  
OF +/- .125 INCHES (3.175 MM).

**PROPRIETARY AND CONFIDENTIAL**  
THE INFORMATION CONTAINED IN THIS  
DRAWING IS THE SOLE PROPERTY OF  
PARKWAY PLASTICS INC. ANY  
REPRODUCTION IN PART OR AS A WHOLE  
WITHOUT THE WRITTEN PERMISSION OF  
PARKWAY PLASTICS INC IS PROHIBITED.

WIDTH	HEIGHT	UNLESS OTHERWISE SPECIFIED:	DRAWN	NAME	DATE	PARKWAY PLASTICS INC	
90MM	24MM	DIMENSIONS ARE IN INCHES TOLERANCES: FRACTIONAL ± ANGULAR: MACH ± BEND ± TWO PLACE DECIMAL ± THREE PLACE DECIMAL ±	S.P.		02/02/15		TITLE:
		INTERPRET GEOMETRIC TOLERANCING PER:	CHECKED			1/2 OZ 53MM TW CLEAR PVC SHRINK SLEEVE	
		MATERIAL	ENG APPR				SIZE DWG. NO.
		FINISH	MFG APPR			B0530050 Shrink Sleeve	REV
NEXT ASSY	USED ON		D.A.			SCALE: 1:1	WEIGHT:
APPLICATION	DO NOT SCALE DRAWING		COMMENTS:			SHEET 1 OF 1	

UNCONTROLLED COPY

PROPERTY OF

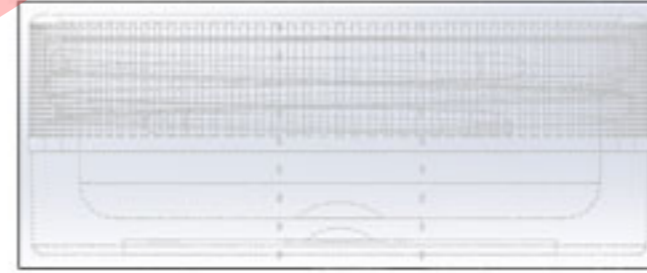
PPI IS NOT RESPONSIBLE FOR PRODUCT COMPATABILITY.  
NOT ALL MATERIALS ARE SUITABLE FOR ALL APPLICATIONS.



PARKWAY PLASTICS

IT IS THE BUYER'S SOLE RESPONSIBILITY TO TEST THE COMPATIBILITY OF  
THEIR PRODUCTS WITH PARKWAY'S PRODUCTS & SERVICES.

**1/2 OZ 53MM TW CLEAR PVC SHRINK SLEEVE  
90MM X 24MM**



UNCONTROLLED COPY