

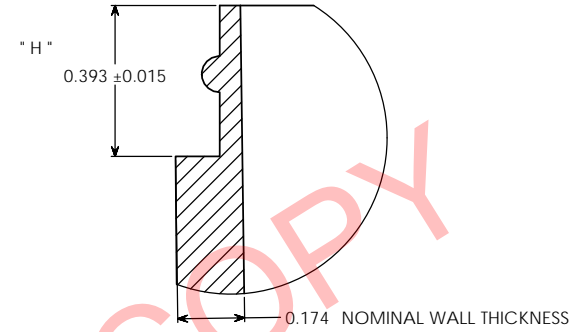
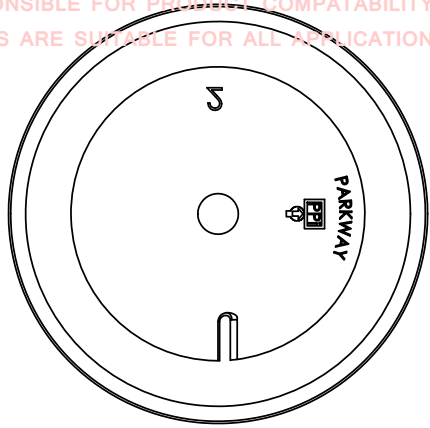
PROPERTY OF

PPI IS NOT RESPONSIBLE FOR PRODUCT COMPATABILITY.
NOT ALL MATERIALS ARE SUITABLE FOR ALL APPLICATIONS.

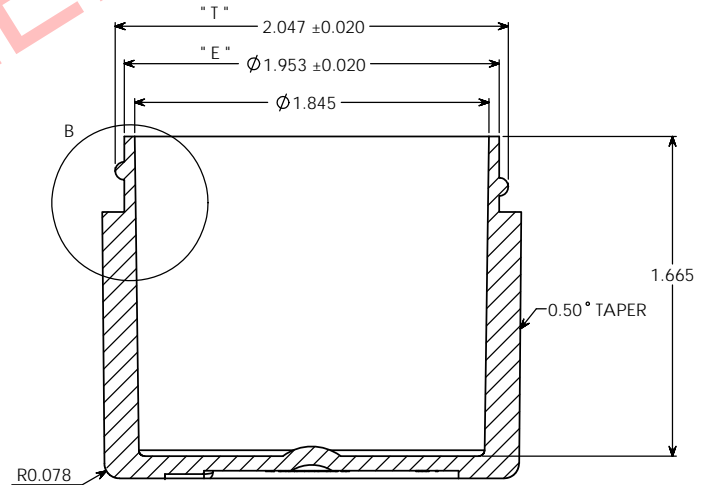
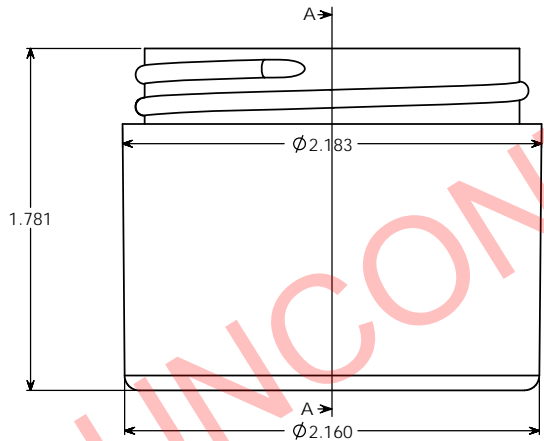


PARKWAY PLASTICS

IT IS THE BUYER'S SOLE RESPONSIBILITY TO TEST THE COMPATIBILITY
OF THEIR PRODUCTS WITH PARKWAY'S PRODUCTS & SERVICES.



DETAIL B
SCALE 4 : 1



SECTION A-A

NOTE

=====
Manufacturer reserves the right to
change specifications without notice.
All purchase order for the item herein
described, must be accompanied by
a copy of this print. All dimensions have
a tolerance of +/- 3 % unless otherwise
specified.
SIDEWALL CAMBER .050" PER SIDE MAX.
THREAD = GCM1 400- CT FINISH
6 THREADS PER INCH.

OVERFLOW: 71 ML
WEIGHT: 28.1 GRAMS ± 3 GRAMS

UNCONTROLLED COPY

PROPRIETARY AND CONFIDENTIAL
THE INFORMATION CONTAINED IN THIS
DRAWING IS THE SOLE PROPERTY OF
PARKWAY PLASTICS INC. ANY
REPRODUCTION IN PART OR AS A WHOLE
WITHOUT THE WRITTEN PERMISSION OF
PARKWAY PLASTICS INC IS PROHIBITED.

"T" DIMENSION	2.047 ± 0.020	UNLESS OTHERWISE SPECIFIED:	NAME	DATE	PARKWAY PLASTICS INC	
"E" DIMENSION	1.953 ± 0.020	DIMENSIONS ARE IN INCHES	DRAWN	G.W.W		01/14/13
"H" DIMENSION	0.393 ± 0.015	TOLERANCES:	CHECKED			
SECTION VIEW A - A	JAR	FRACTIONAL ±	ENG APPR			
DETAIL VIEW B	"H" DIMENSION	ANGULAR MATCH ± BEND ±	MFG APPR			
		TWO PLACE DECIMAL ±	DIA			
		THREE PLACE DECIMAL ±	COMMENTS:			
		MATERIAL				
		COLOR/AN				
		DECORATION				
NEXT ASSY	USED ON					
APPLICATION	DO NOT SCALE DRAWING					

TITLE:	2 OZ 53 MM THICK WALL WHITE POLYPROPYLENE JAR (CUSTOMER PRINT)		
SIZE	DWG. NO.	REV	
C	B0530200PPW		
SCALE: 2:1	WEIGHT:	SHEET 1 OF 1	