

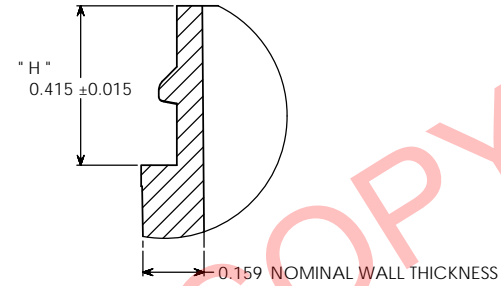
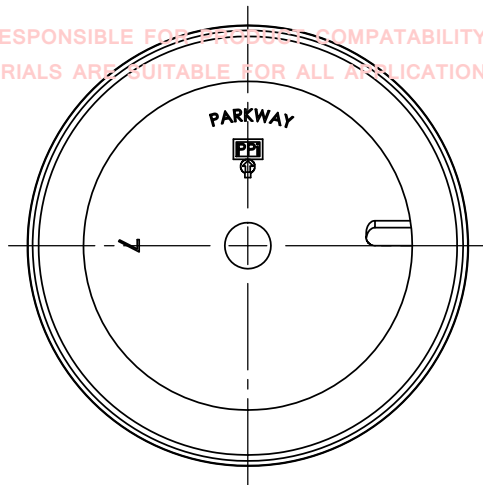
PROPERTY OF

PPI IS NOT RESPONSIBLE FOR PRODUCT COMPATIBILITY.
NOT ALL MATERIALS ARE SUITABLE FOR ALL APPLICATIONS.

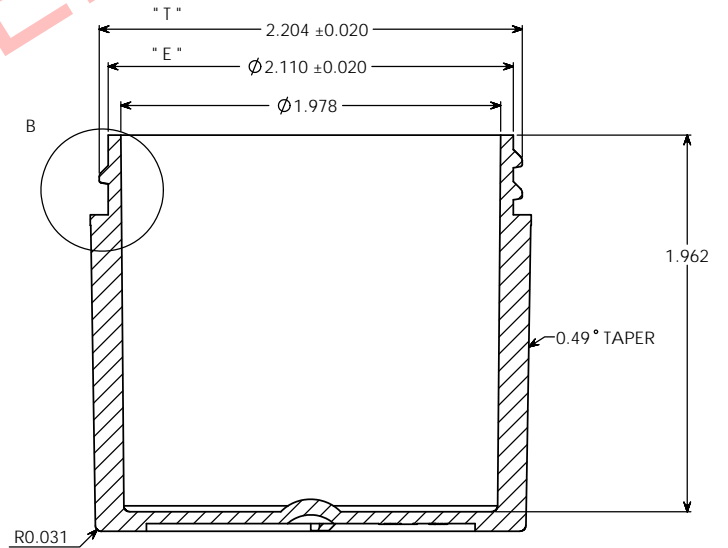
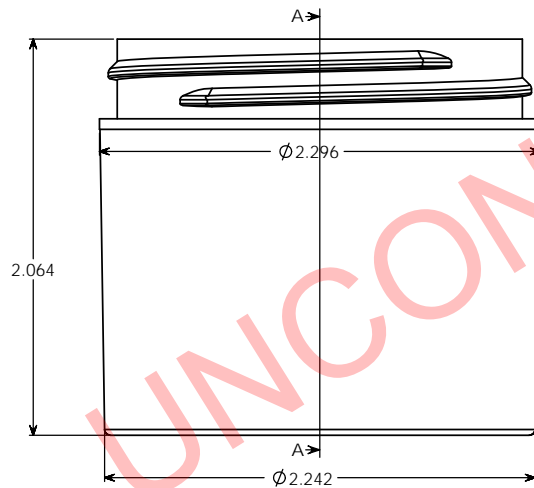


PARKWAY PLASTICS

IT IS THE BUYER'S SOLE RESPONSIBILITY TO TEST THE COMPATIBILITY
OF THEIR PRODUCTS WITH PARKWAY'S PRODUCTS & SERVICES.



DETAIL B
SCALE 4 : 1



SECTION A-A

NOTE

Manufacturer reserves the right to change specifications without notice. All purchase order for the item herein described, must be accompanied by a copy of this print. All dimensions have a tolerance of +/- 3 % unless otherwise specified.
SIDEWALL CAMBER .050" PER SIDE MAX.
THREAD = SPI MODIFIED BUTTRESS THREAD
6 THREADS PER INCH.

OVERFLOW: 99 ML
WEIGHT: 31 GRAMS ± 3 GRAMS

PROPRIETARY AND CONFIDENTIAL
THE INFORMATION CONTAINED IN THIS DRAWING IS THE SOLE PROPERTY OF PARKWAY PLASTICS INC. ANY REPRODUCTION IN PART OR AS A WHOLE WITHOUT THE WRITTEN PERMISSION OF PARKWAY PLASTICS INC IS PROHIBITED.

"T" DIMENSION	2.204 ± 0.020	UNLESS OTHERWISE SPECIFIED: DIMENSIONS ARE IN INCHES TOLERANCES: FRACTIONAL ± ANGULAR MATCH ± BEND ± TWO PLACE DECIMAL ± THREE PLACE DECIMAL ±	NAME	DATE	PARKWAY PLASTICS INC
"E" DIMENSION	2.110 ± 0.020		DRAWN	G.W.W	
"H" DIMENSION	0.415 ± 0.015		CHECKED		TITLE:
SECTION VIEW A-A	JAR		ENG APPR		3 OZ 58 MM THICK WALL WHITE POLYPROPYLENE JAR (CUSTOMER PRINT)
DETAIL VIEW B	"H" DIMENSION	MATERIAL	MFG APPR		SIZE
		S11	D.A.		DWG. NO.
		COLORANT	COMMENTS		B0580300PPW
		61 WHITE			REV
		DECORATION			C
NEXT ASSY	USED ON	NA			SCALE: 2:1
APPLICATION	DO NOT SCALE DRAWING				WEIGHT:
					SHEET 1 OF 1

UNCONTROLLED COPY