

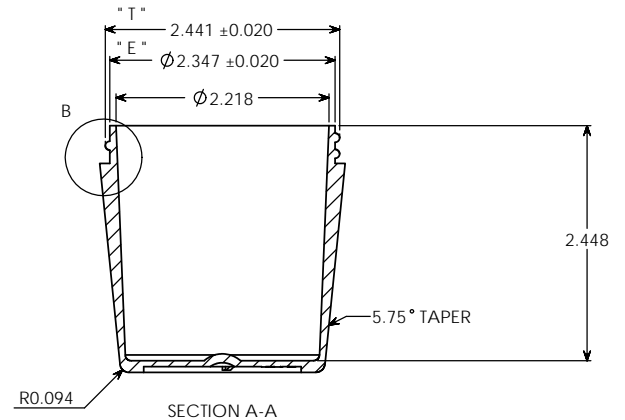
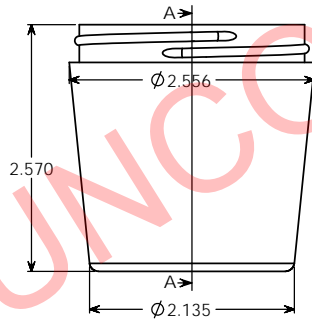
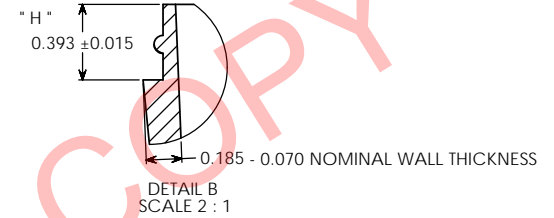
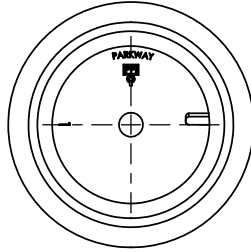
PROPERTY OF

PPI IS NOT RESPONSIBLE FOR PRODUCT COMPATABILITY.
NOT ALL MATERIALS ARE SUITABLE FOR ALL APPLICATIONS.



PARKWAY PLASTICS

IT IS THE BUYER'S SOLE RESPONSIBILITY TO TEST THE COMPATIBILITY
OF THEIR PRODUCTS WITH PARKWAY'S PRODUCTS & SERVICES.



NOTE

Manufacturer reserves the right to change specifications without notice. All purchase order for the item herein described, must be accompanied by a copy of this print. All dimensions have a tolerance of +/- 3 % unless otherwise specified.
SIDEWALL CAMBER .050" PER SIDE MAX.
THREAD = GCM1 400- CT FINISH
6 THREADS PER INCH.

OVERFLOW: 140 ML
WEIGHT: 35 GRAMS ±4 GRAMS

UNCONTROLLED COPY

PROPRIETARY AND CONFIDENTIAL
THE INFORMATION CONTAINED IN THIS DRAWING IS THE SOLE PROPERTY OF PARKWAY PLASTICS INC. ANY REPRODUCTION IN PART OR AS A WHOLE WITHOUT THE WRITTEN PERMISSION OF PARKWAY PLASTICS INC IS PROHIBITED.

* T * DIMENSION	2.441 ± 0.020	UNLESS OTHERWISE SPECIFIED: DIMENSIONS ARE IN INCHES TOLERANCES: FRACTIONAL * ANGULAR: MATCH * BEND * TWO PLACE DECIMAL * THREE PLACE DECIMAL *	NAME	DATE	PARKWAY PLASTICS INC
* E * DIMENSION	2.347 ± 0.020		DRAWN	G.W.W	
* H * DIMENSION	0.393 ± 0.015		CHECKED		TITLE:
SECTION VIEW A - A	JAR		ENG APPR		4 OZ 63 MM TAPERED THICK WALL POLYPROPYLENE JAR (CUSTOMER PRINT)
DETAIL VIEW B	* H * DIMENSION	MATERIAL S10-01	MFG APPR		SIZE DWG. NO.
		COLOR/DRAWN NA	DIA		C B0630400PPCT
NEXT ASSY	USED ON	DECORATION NA	COMMENTS:		REV
APPLICATION	DO NOT SCALE DRAWING		REPLACES PRINT # 463TWTWP		SCALE: 1:1 WEIGHT: SHEET 1 OF 1