

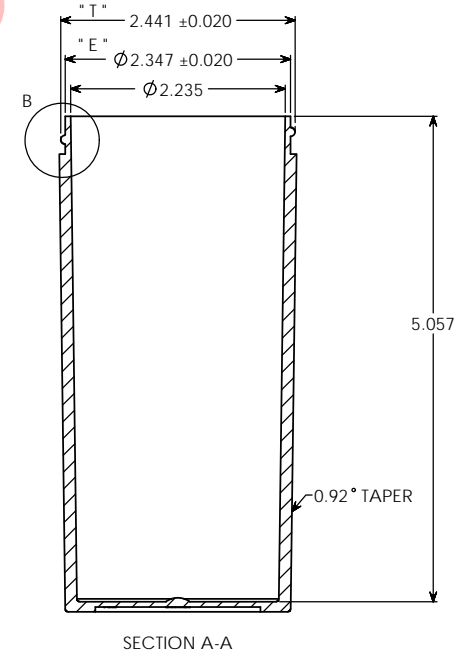
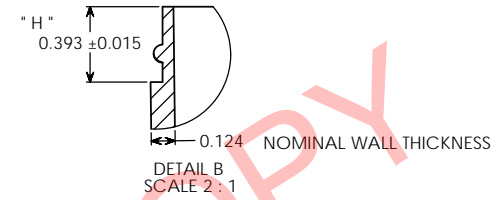
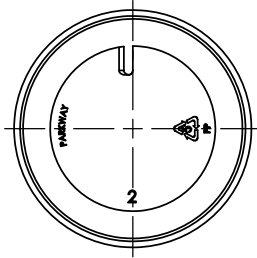
PROPERTY OF



PARKWAY PLASTICS

PPI IS NOT RESPONSIBLE FOR PRODUCT COMPATABILITY.  
NOT ALL MATERIALS ARE SUITABLE FOR ALL APPLICATIONS.

IT IS THE BUYER'S SOLE RESPONSIBILITY TO TEST THE COMPATIBILITY OF  
THEIR PRODUCTS WITH PARKWAY'S PRODUCTS & SERVICES.



UNCONTROLLED COPY

NOTE

Manufacturer reserves the right to change specifications without notice. All purchase order for the item herein described, must be accompanied by a copy of this print. All dimensions have a tolerance of +/- 3% unless otherwise specified.  
SIDEWALL CAMBER .050" PER SIDE MAX.  
THREAD = GCM1 400- CT FINISH  
6 THREADS PER INCH.

OVERFLOW: 302 ML  
WEIGHT: 68.3 GRAMS ±4 GRAMS

"T" DIMENSION	2.441 ± 0.020	UNLESS OTHERWISE SPECIFIED: DIMENSIONS ARE IN INCHES TOLERANCES: FRACTIONAL ± ANGULAR MATCH ± BEND ± TWO PLACE DECIMAL ± THREE PLACE DECIMAL ±	NAME	DATE	PARKWAY PLASTICS INC TITLE: 10 OZ 63 MM THICK WALL POLYPROPYLENE JAR	
"E" DIMENSION	2.347 ± 0.020		DRAWN	G.W.W		03/18/15
"H" DIMENSION	0.393 ± 0.015	CHECKED				
SECTION VIEW A-A	JAR	ENG APPR				
DETAIL VIEW B	"H" DIMENSION	MATERIAL	S10-01	COMMENTS:		
		COLOR/GRN	NA		SIZE DWG. NO. REV	
		DECORATION	NA		C B0631000PPC	
DO NOT SCALE DRAWING					SCALE: 1:1	SHEET 1 OF 1