

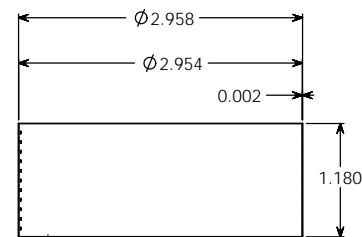
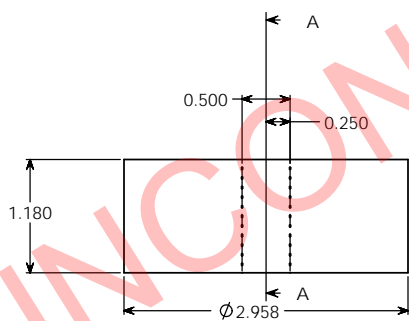
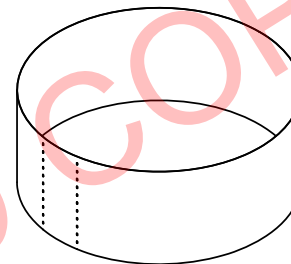
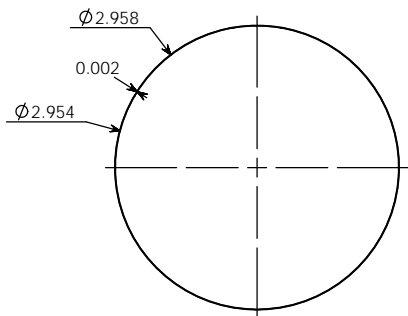
**PROPERTY OF**

PPI IS NOT RESPONSIBLE FOR PRODUCT COMPATABILITY.  
NOT ALL MATERIALS ARE SUITABLE FOR ALL APPLICATIONS.



**PARKWAY PLASTICS**

IT IS THE BUYER'S SOLE RESPONSIBILITY TO TEST THE COMPATIBILITY OF  
THEIR PRODUCTS WITH PARKWAY'S PRODUCTS & SERVICES.



SECTION A-A

**NOTE:**

SHRINKSLEEVES ARE SHIPPED  
PRESSED FLAT WITH SPECIFIC WIDTH  
& HEIGHT MEASUREMENTS. EACH  
MEASUREMENT HAS A TOLERANCE  
OF +/- .125 INCHES (3.175 MM).

UNCONTROLLED COPY

**PROPRIETARY AND CONFIDENTIAL**  
THE INFORMATION CONTAINED IN THIS  
DRAWING IS THE SOLE PROPERTY OF  
PARKWAY PLASTICS INC. ANY  
REPRODUCTION IN PART OR AS A WHOLE  
WITHOUT THE WRITTEN PERMISSION OF  
PARKWAY PLASTICS INC IS PROHIBITED.

<b>WIDTH</b>	<b>HEIGHT</b>	<b>UNLESS OTHERWISE SPECIFIED:</b>	<b>NAME</b>	<b>DATE</b>	<b>PARKWAY PLASTICS INC</b>
118MM	30MM	DIMENSIONS ARE IN INCHES	S.P.	02/03/15	
		TOLERANCES:	CHECKED		
		FRACTIONAL ±	ENG APPR		
		ANGULAR: MATCH ± BEND ±	MFG APPR		<b>TITLE:</b> 1OZ 70MM TW CLEAR PVC SHRINK SLEEVE
		TWO PLACE DECIMAL ±	D.A.		
		THREE PLACE DECIMAL ±	COMMENTS:		<b>SIZE</b> DWG. NO.
		INTERPRET GEOMETRIC TOLERANCING PER:			<b>C</b> B0700100 Shrink Sleeve
		MATERIAL			REV
NEXT ASSY	USED ON	FINISH			SCALE: 1:1
APPLICATION		DO NOT SCALE DRAWING			WEIGHT:
					SHEET 1 OF 1

PROPERTY OF

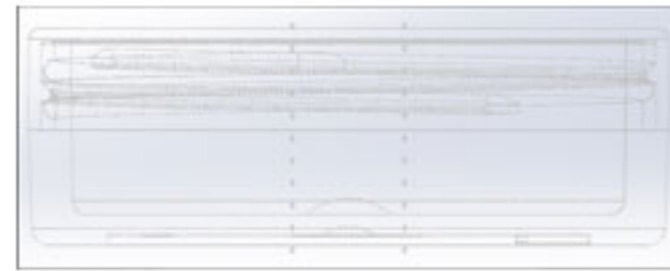
PPI IS NOT RESPONSIBLE FOR PRODUCT COMPATABILITY.  
NOT ALL MATERIALS ARE SUITABLE FOR ALL APPLICATIONS.



PARKWAY PLASTICS

IT IS THE BUYER'S SOLE RESPONSIBILITY TO TEST THE COMPATILTY OF  
THEIR PRODUCTS WITH PARKWAY'S PRODUCTS & SERVICES.

**1OZ 70MM TW CLEAR PVC SHRINK SLEEVE  
118MM X 30MM**



UNCONTROLLED COPY