

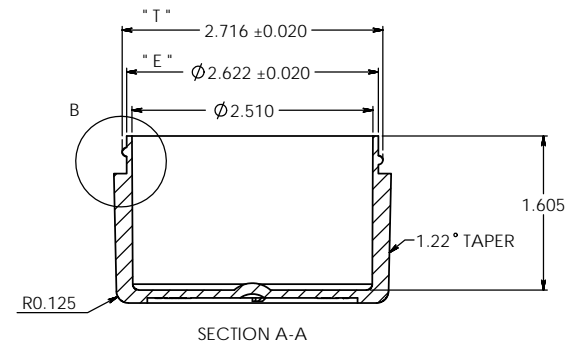
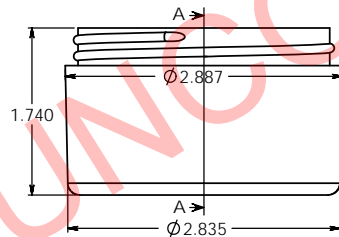
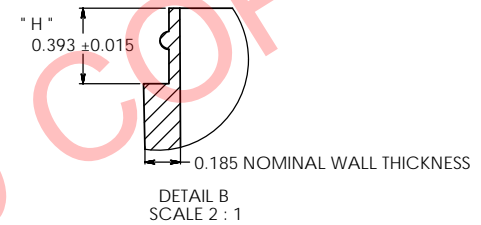
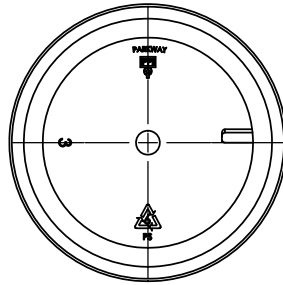
PROPERTY OF

PPI IS NOT RESPONSIBLE FOR PRODUCT COMPATABILITY.  
NOT ALL MATERIALS ARE SUITABLE FOR ALL APPLICATIONS.



PARKWAY PLASTICS

IT IS THE BUYER'S SOLE RESPONSIBILITY TO TEST THE COMPATIBILITY  
OF THEIR PRODUCTS WITH PARKWAY'S PRODUCTS & SERVICES.



NOTE

Manufacturer reserves the right to change specifications without notice. All purchase order for the item herein described, must be accompanied by a copy of this print. All dimensions have a tolerance of +/- 3 % unless otherwise specified.  
SIDEWALL CAMBER .050" PER SIDE MAX.  
THREAD = GCM1 400- CT FINISH  
6 THREADS PER INCH.

OVERFLOW: 129 ML  
WEIGHT: 47 GRAMS ± 4 GRAMS

PROPRIETARY AND CONFIDENTIAL  
THE INFORMATION CONTAINED IN THIS DRAWING IS THE SOLE PROPERTY OF PARKWAY PLASTICS INC. ANY REPRODUCTION IN PART OR AS A WHOLE WITHOUT THE WRITTEN PERMISSION OF PARKWAY PLASTICS INC IS PROHIBITED.

* T * DIMENSION	2.716 ± 0.020	UNLESS OTHERWISE SPECIFIED:	NAME	DATE	PARKWAY PLASTICS INC	
* E * DIMENSION	2.622 ± 0.020	DIMENSIONS ARE IN INCHES	DRAWN	G.W.W		03/04/13
* H * DIMENSION	0.393 ± 0.015	TOLERANCES:	CHECKED			
SECTION VIEW	JAR	FRACTIONAL ±	ENG APPR			
DETAIL VIEW	A - A	ANGULAR MATCH ±	MFG APPR			
	B	BEND ±	D/A:			
		THREE PLACE DECIMAL ±	COMMENTS			
			REPLACES PRINT # 370STWJ			
NEXT ASSY	USED ON	COLORS	DECORATION	NA	NA	
APPLICATION	DO NOT SCALE DRAWING					
SIZE	DWG. NO.	REV	SCALE: 1:1	WEIGHT:	SHEET 1 OF 1	
C	B0700300CSC					