

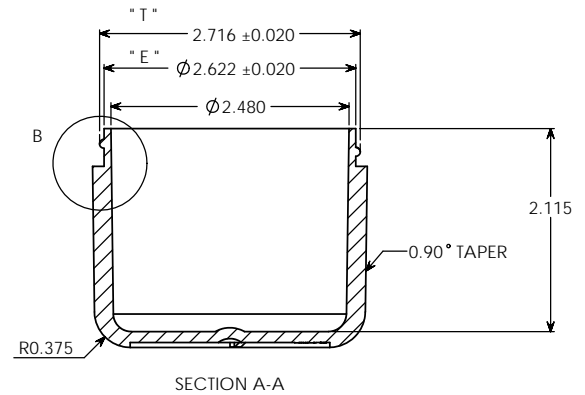
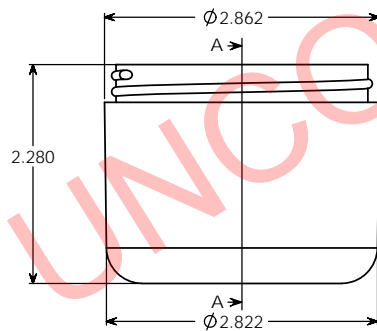
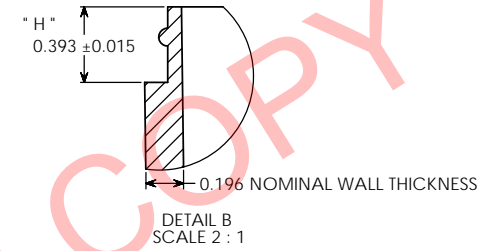
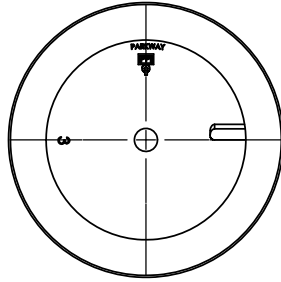
PROPERTY OF

PPI IS NOT RESPONSIBLE FOR PRODUCT COMPATABILITY.
NOT ALL MATERIALS ARE SUITABLE FOR ALL APPLICATIONS.



PARKWAY PLASTICS

IT IS THE BUYER'S SOLE RESPONSIBILITY TO TEST THE COMPATIBILITY
OF THEIR PRODUCTS WITH PARKWAY'S PRODUCTS & SERVICES.



NOTE

Manufacturer reserves the right to change specifications without notice. All purchase order for the item herein described, must be accompanied by a copy of this print. All dimensions have a tolerance of +/- 3 % unless otherwise specified.
SIDEWALL CAMBER .050" PER SIDE MAX.
THREAD = GCM1 400- CT FINISH
6 THREADS PER INCH.

OVERFLOW: 174 ML
WEIGHT: 53.8 GRAMS ± 2 GRAMS

UNCONTROLLED COPY

PROPRIETARY AND CONFIDENTIAL
THE INFORMATION CONTAINED IN THIS DRAWING IS THE SOLE PROPERTY OF PARKWAY PLASTICS INC. ANY REPRODUCTION IN PART OR AS A WHOLE WITHOUT THE WRITTEN PERMISSION OF PARKWAY PLASTICS INC IS PROHIBITED.

* T * DIMENSION	2.716 ± 0.020	UNLESS OTHERWISE SPECIFIED:	NAME	DATE	PARKWAY PLASTICS INC
* E * DIMENSION	2.622 ± 0.020	DIMENSIONS ARE IN INCHES	G. W. W.	08/19/13	
* H * DIMENSION	0.393 ± 0.015	TOLERANCES:	CHECKED		
SECTION VIEW A - A	JAR	FRACTIONAL ±	ENG APPR		
DETAIL VIEW B	* H * DIMENSION	ANGULAR MATCH ± BEND ±	MFG APPR		TITLE:
		TWO PLACE DECIMAL ±	D.A.		4 OZ 70 MM THICK WALL ROUND BOTTOM WHITE POLYPROPYLENE JAR
		THREE PLACE DECIMAL ±	CUSTOMER PART #		SIZE
		MATERIAL			DWG. NO.
		S11			REV
		61 WHITE			C B0700400PPWR
		DECORATION			SCALE: 1:1
		NA			WEIGHT:
					SHEET 1 OF 1

DO NOT SCALE DRAWING