

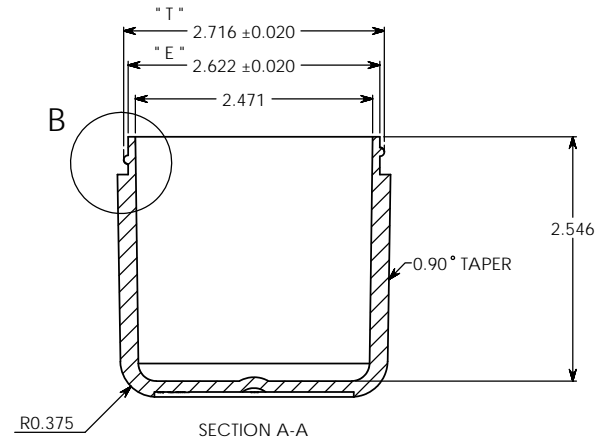
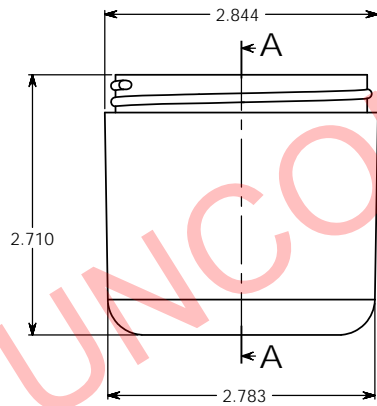
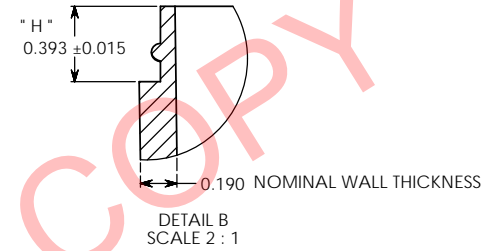
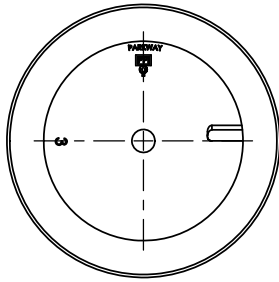
PROPERTY OF

PPI IS NOT RESPONSIBLE FOR PRODUCT COMPATABILITY.  
NOT ALL MATERIALS ARE SUITABLE FOR ALL APPLICATIONS.



PARKWAY PLASTICS

IT IS THE BUYER'S SOLE RESPONSIBILITY TO TEST THE COMPATIBILITY  
OF THEIR PRODUCTS WITH PARKWAY'S PRODUCTS & SERVICES.



NOTE

=====  
Manufacturer reserves the right to change specifications without notice. All purchase order for the item herein described, must be accompanied by a copy of this print. All dimensions have a tolerance of +/- 3 % unless otherwise specified.  
SIDEWALL CAMBER .050" PER SIDE MAX.  
THREAD = GCM1 400- CT FINISH  
6 THREADS PER INCH.

OVERFLOW: 200 ML  
WEIGHT: 63 GRAMS ± 2 GRAMS

UNCONTROLLED COPY

PROPRIETARY AND CONFIDENTIAL  
THE INFORMATION CONTAINED IN THIS DRAWING IS THE SOLE PROPERTY OF PARKWAY PLASTICS INC. ANY REPRODUCTION IN PART OR AS A WHOLE WITHOUT THE WRITTEN PERMISSION OF PARKWAY PLASTICS INC IS PROHIBITED.

* T * DIMENSION	2.716 ± 0.020	UNLESS OTHERWISE SPECIFIED: DIMENSIONS ARE IN INCHES TOLERANCES: FRACTIONAL ± ANGULAR MATCH ± BEND ± TWO PLACE DECIMAL ± THREE PLACE DECIMAL ±	NAME	DATE	PARKWAY PLASTICS INC TITLE: 6 OZ 70 MM THICK WALL ROUND BOTTOM CLARIFIED POLYPROPYLENE JAR
* E * DIMENSION	2.622 ± 0.020		DRAWN	G.W.W	
* H * DIMENSION	0.393 ± 0.015	CHECKED			
SECTION VIEW A - A	JAR	ENG APPR			
MATERIAL	S10-01	DIA:			CUSTOMER PART #
DECORATION	NA				
DO NOT SCALE DRAWING					SCALE: 1:1

SIZE	DWG. NO.	REV
C	B0700600PPCR	
SCALE: 1:1		SHEET 1 OF 1