

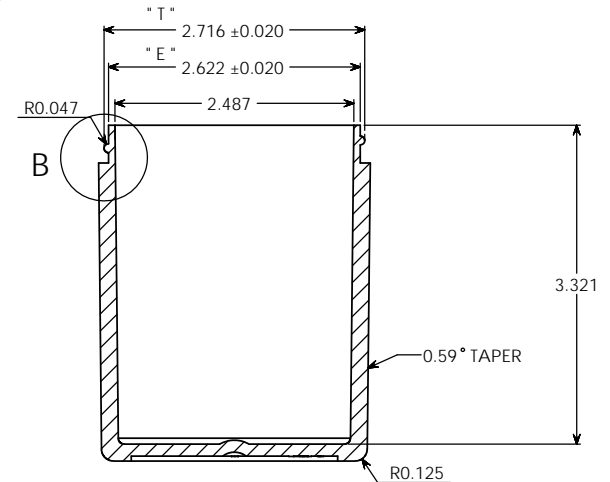
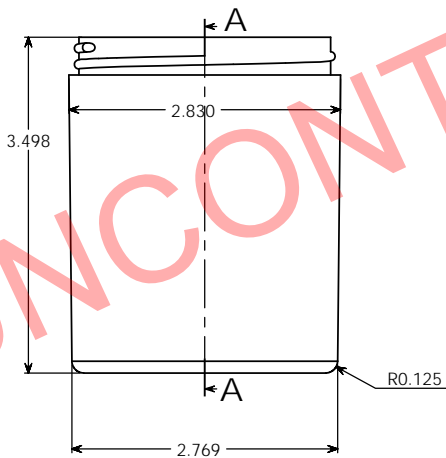
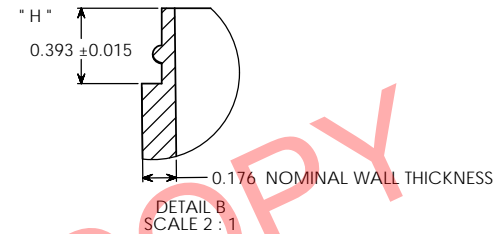
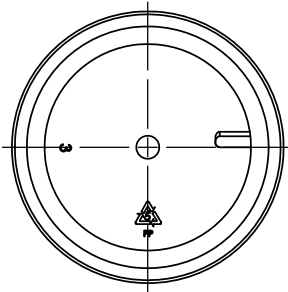
PROPERTY OF

PPI DOESN'T MAKE ANY WARRANTIES REGARDING MERCHANTABILITY.  
NOT ALL MATERIALS ARE SUITABLE FOR ALL APPLICATIONS.



PARKWAY PLASTICS

IT IS THE BUYER'S SOLE RESPONSIBILITY TO TEST THE COMPATIBILITY  
OF THEIR PRODUCTS WITH PARKWAY'S PRODUCTS & SERVICES.



SECTION A-A

NOTE

=====  
Manufacturer reserves the right to change specifications without notice. All purchase order for the item herein described, must be accompanied by a copy of this print. All dimensions have a tolerance of +/- 3 % unless otherwise specified.  
SIDEWALL CAMBER .050" PER SIDE MAX.  
THREAD = GCM1 400- CT FINISH  
6 THREADS PER INCH.

OVERFLOW VOLUME : 268 ML  
WEIGHT : 78 GRAMS ± 2 GRAMS

UNCONTROLLED COPY

PROPRIETARY AND CONFIDENTIAL  
THE INFORMATION CONTAINED IN THIS DRAWING IS THE SOLE PROPERTY OF PARKWAY PLASTICS INC. ANY REPRODUCTION IN PART OR AS A WHOLE WITHOUT THE WRITTEN PERMISSION OF PARKWAY PLASTICS INC IS PROHIBITED.

* T * DIMENSION	2.716 ± 0.020	UNLESS OTHERWISE SPECIFIED: DIMENSIONS ARE IN INCHES	DRAWN	G.W.W	NAME	DATE	PARKWAY PLASTICS INC TITLE: 8 OZ 70 MM THICK WALL POLYPROPYLENE JAR
* E * DIMENSION	2.622 ± 0.020		UPDATED	G.W.W		11/10/15	
* H * DIMENSION	0.393 ± 0.015		ENG APPR			06/29/16	
SECTION VIEW A - A	JAR	MATERIAL	S10-01	MFG APPR			
DETAIL VIEW B	* H * DIMENSION	COLORANT	NA	QA			
		DECORATION	NA	COMMENTS:			
		CASE COUNT	NA				
		PACK METHOD	NA				
DO NOT SCALE DRAWING							

SIZE	DWG. NO.	REV
C	B0700800PPC	
SCALE: 1:1		SHEET 1 OF 1