

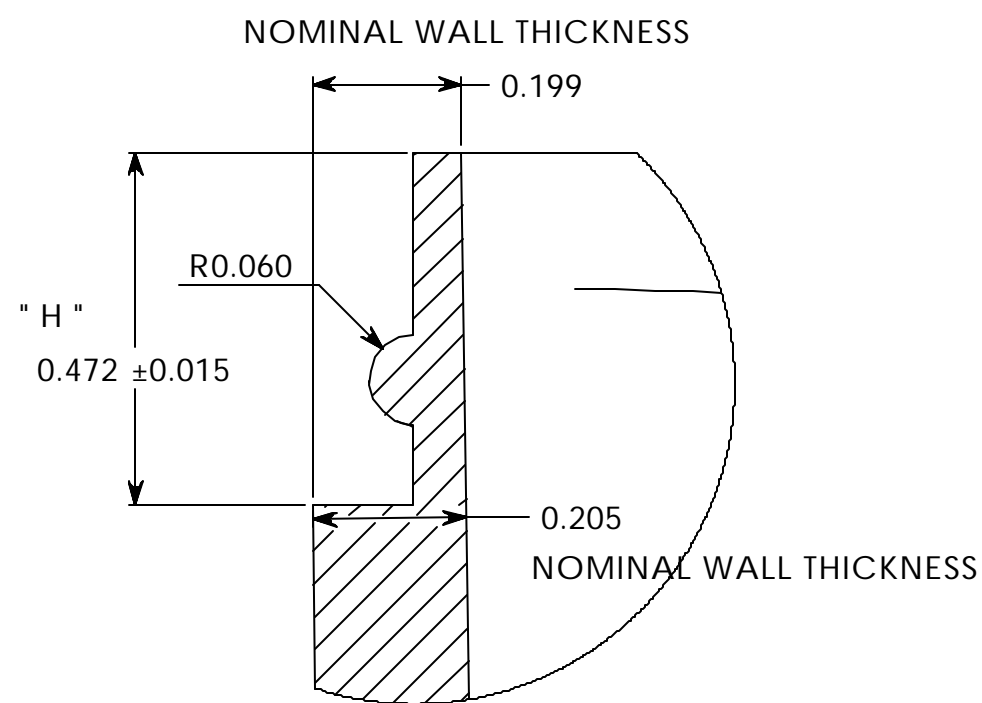
PROPERTY OF

PPI IS NOT RESPONSIBLE FOR PRODUCT COMPATABILITY.
NOT ALL MATERIALS ARE SUITABLE FOR ALL APPLICATIONS.



PARKWAY PLASTICS

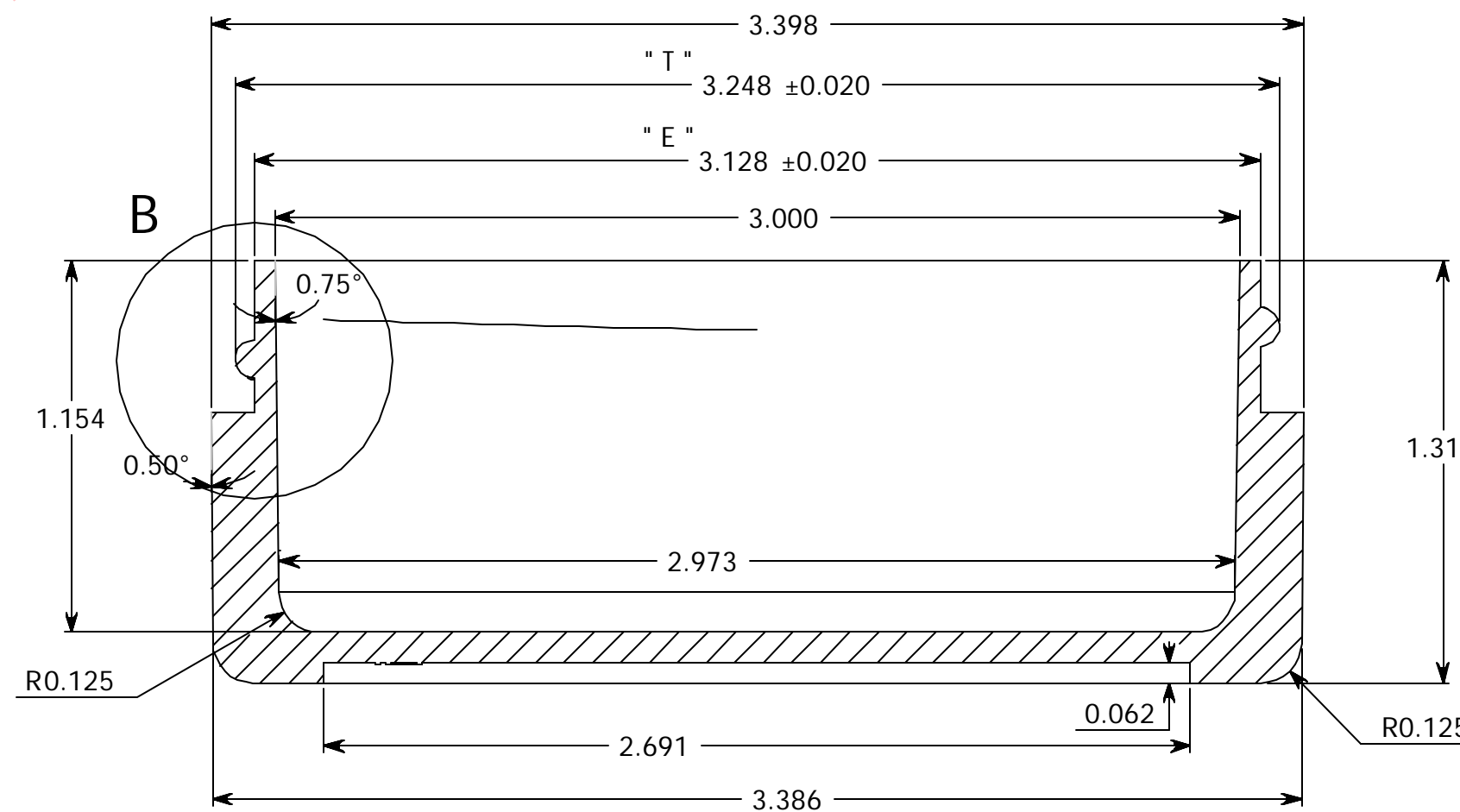
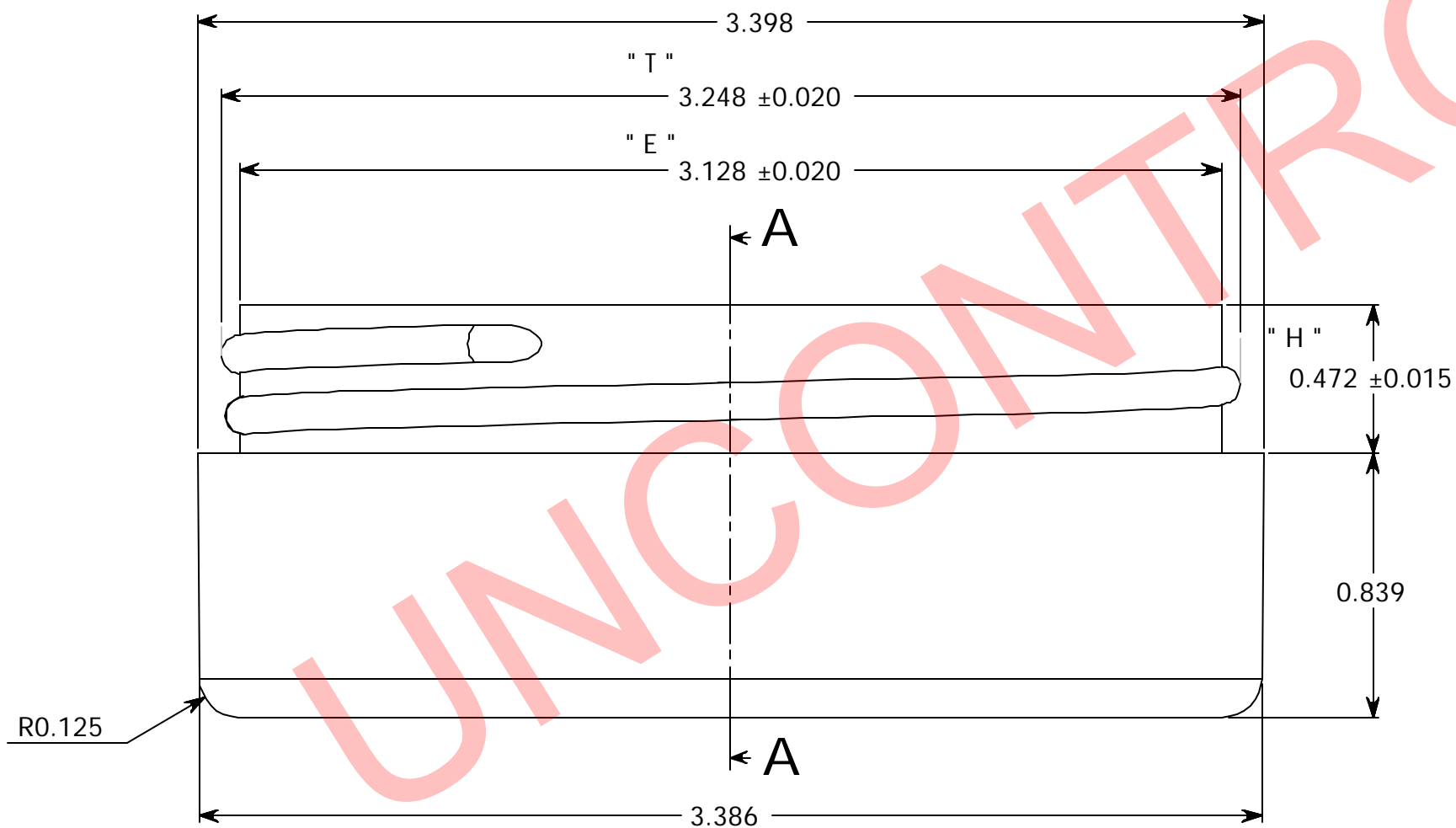
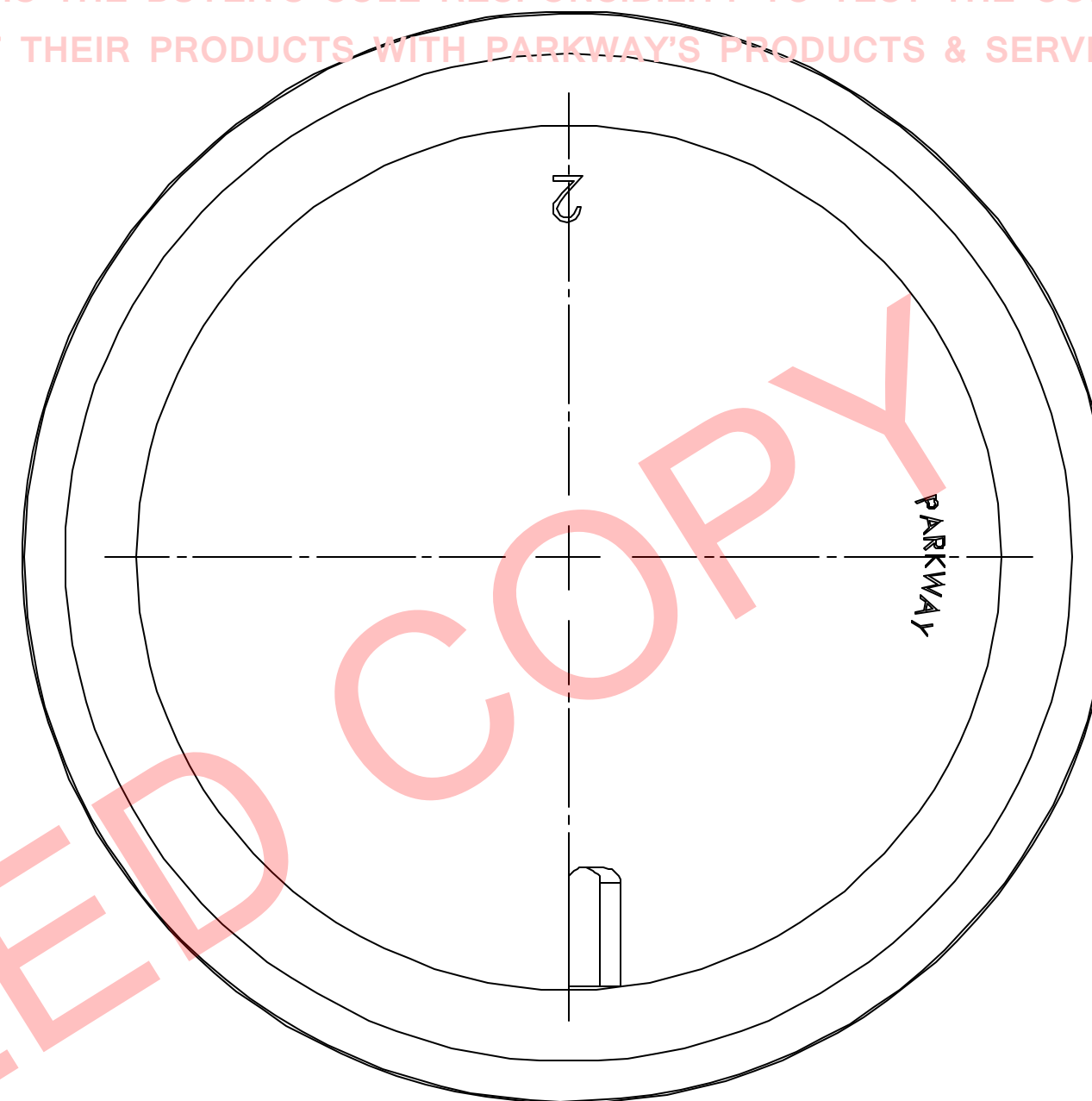
IT IS THE BUYER'S SOLE RESPONSIBILITY TO TEST THE COMPATIBILITY
OF THEIR PRODUCTS WITH PARKWAY'S PRODUCTS & SERVICES.



DETAIL B
SCALE 4 : 1

NOTE

Manufacturer reserves the right to change specifications without notice. All purchase order for the item herein described, must be accompanied by a copy of this print. All dimensions have a tolerance of +/- 3 % unless otherwise specified. SIDEWALL CAMBER .050" PER MAX. THREAD = GCM1 400- CT FINISH 5 THREADS PER INCH.



SECTION A-A
SCALE 2 : 1

OVERFLOW VOLUME = 130 ML
WEIGHT = 46.5

PROPRIETARY AND CONFIDENTIAL
THE INFORMATION CONTAINED IN THIS DRAWING IS THE SOLE PROPERTY OF PARKWAY PLASTICS INC. ANY REPRODUCTION IN PART OR AS A WHOLE WITHOUT THE WRITTEN PERMISSION OF PARKWAY PLASTICS INC IS PROHIBITED.

" T " DIMENSION	3.248 ± 0.020	UNLESS OTHERWISE SPECIFIED: DIMENSIONS ARE IN INCHES TOLERANCES: FRACTIONAL ± ANGULAR: MACH ± BEND ± TWO PLACE DECIMAL ± THREE PLACE DECIMAL ±	NAME	DATE	PARKWAY PLASTICS INC TITLE: 3 OZ 83 MM THICKWALL JAR (CUSTOMER PRINT)
" E " DIMENSION	3.128 ± 0.020		DRAWN	G. W. W 12/02/08	
" H " DIMENSION	0.472 ± 0.015		CHECKED		
SECTION VIEW A-A	JAR		ENG APPR.		
DETAIL VIEW B	" H " DIMENSION	INTERPRET GEOMETRIC TOLERANCING PER:	MFG APPR.		SIZE DWG. NO. REV C B03000830P0831V3
		MATERIAL	Q.A.		
		FINISH	COMMENTS:		
NEXT ASSY	USED ON	APPLICATION	G. W. W		SCALE: 1:1 WEIGHT: SHEET 1 OF 1
		DO NOT SCALE DRAWING			

UNCONTROLLED COPY