

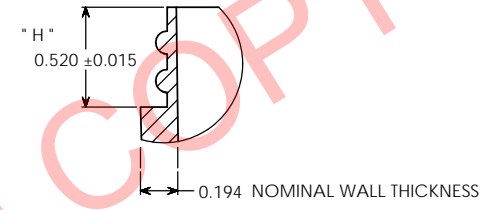
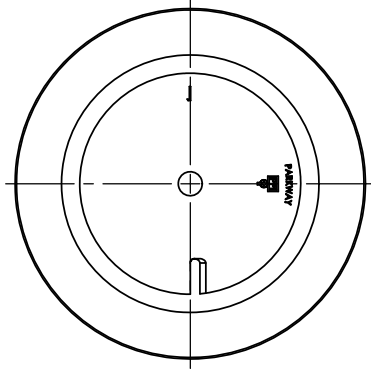
PROPERTY OF

PPI IS NOT RESPONSIBLE FOR PRODUCT COMPATABILITY.  
NOT ALL MATERIALS ARE SUITABLE FOR ALL APPLICATIONS.

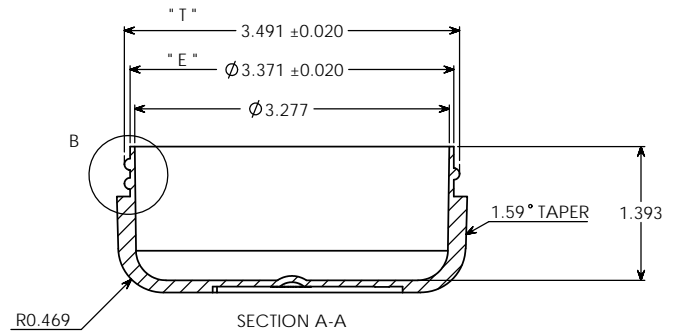
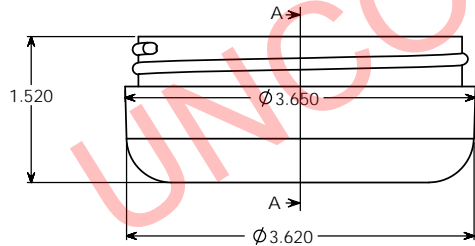


PARKWAY PLASTICS

IT IS THE BUYER'S SOLE RESPONSIBILITY TO TEST THE COMPATIBILITY  
OF THEIR PRODUCTS WITH PARKWAY'S PRODUCTS & SERVICES.



DETAIL B  
SCALE 2 : 1



**NOTE**  
Manufacturer reserves the right to change specifications without notice. All purchase order for the item herein described, must be accompanied by a copy of this print. All dimensions have a tolerance of +/- 3% unless otherwise specified.  
SIDEWALL CAMBER .050" PER SIDE MAX.  
THREAD = GCM1 400- CT FINISH  
5 THREADS PER INCH.

OVERFLOW: 195 ML  
WEIGHT: 50 GRAMS ± 5 GRAMS

PROPRIETARY AND CONFIDENTIAL  
THE INFORMATION CONTAINED IN THIS DRAWING IS THE SOLE PROPERTY OF PARKWAY PLASTICS INC. ANY REPRODUCTION IN PART OR AS A WHOLE WITHOUT THE WRITTEN PERMISSION OF PARKWAY PLASTICS INC IS PROHIBITED.

* T * DIMENSION	3.491 ± 0.020	UNLESS OTHERWISE SPECIFIED:	NAME	DATE	<b>PARKWAY PLASTICS INC</b> TITLE: 4 OZ 89 MM THICK WALL ROUND BOTTOM STYRENE JAR		
* E * DIMENSION	3.371 ± 0.020	DIMENSIONS ARE IN INCHES TOLERANCES: FRACTIONAL ± ANGULAR MATCH ± BEND ± TWO PLACE DECIMAL ± THREE PLACE DECIMAL ±	DRAWN	G.W.W		01/14/14	
* H * DIMENSION	0.520 ± 0.015		UPDATED	G.W.W		09/08/14	
SECTION VIEW A - A	JAR		ENG APPR				
DETAIL VIEW B	* H * DIMENSION	U11	MFG APPR				
		MATERIAL	D.A.				
		COLOR/ANI	CUSTOMER PART #				
		DECORATION					
DO NOT SCALE DRAWING					SIZE	DWG. NO.	REV
					C	B0890400CSCR	
					SCALE: 1:1		SHEET 1 OF 1