

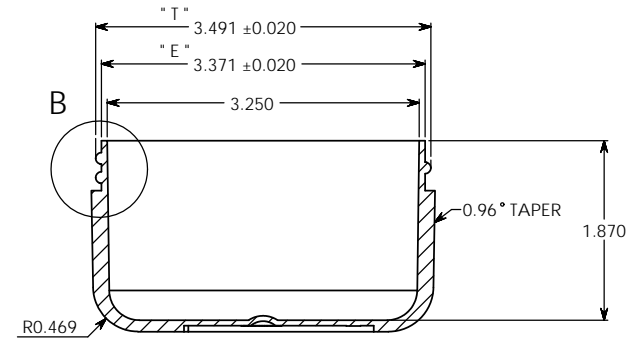
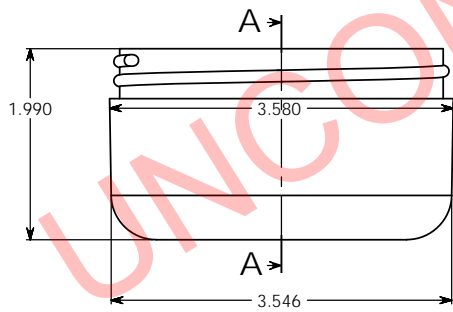
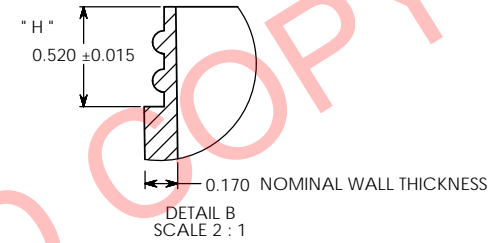
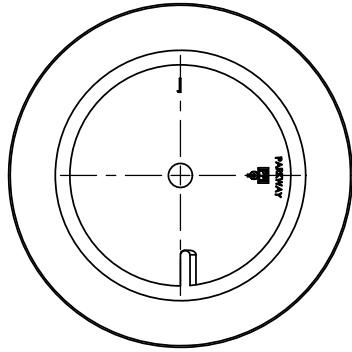
PROPERTY OF

PPI IS NOT RESPONSIBLE FOR PRODUCT COMPATABILITY.
NOT ALL MATERIALS ARE SUITABLE FOR ALL APPLICATIONS.



PARKWAY PLASTICS

IT IS THE BUYER'S SOLE RESPONSIBILITY TO TEST THE COMPATIBILITY
OF THEIR PRODUCTS WITH PARKWAY'S PRODUCTS & SERVICES.



SECTION A-A

NOTE

Manufacturer reserves the right to change specifications without notice. All purchase order for the item herein described, must be accompanied by a copy of this print. All dimensions have a tolerance of +/- 3% unless otherwise specified.
SIDEWALL CAMBER .050" PER SIDE MAX.
THREAD = GCM1 400- CT FINISH
5 THREADS PER INCH.

OVERFLOW: 254 ML
WEIGHT: 54.7 GRAMS ± 5 GRAMS

PROPRIETARY AND CONFIDENTIAL
THE INFORMATION CONTAINED IN THIS DRAWING IS THE SOLE PROPERTY OF PARKWAY PLASTICS INC. ANY REPRODUCTION IN PART OR AS A WHOLE WITHOUT THE WRITTEN PERMISSION OF PARKWAY PLASTICS INC IS PROHIBITED.

* T * DIMENSION	3.491 ± 0.020	UNLESS OTHERWISE SPECIFIED:	NAME	DATE	PARKWAY PLASTICS INC	
* E * DIMENSION	3.371 ± 0.020	DIMENSIONS ARE IN INCHES	DRAWN	G.W.W		01/15/14
* H * DIMENSION	0.520 ± 0.015	TOLERANCES:	UPDATED	G.W.W		09/08/14
SECTION VIEW A - A	JAR	FRACTIONAL ±	ENG APPR			
DETAIL VIEW B	* H * DIMENSION	ANGULAR MATCH ± BEND ±	MFG APPR			
		TWO PLACE DECIMAL ±	D.A.			
		THREE PLACE DECIMAL ±	CUSTOMER PART #			
		MATERIAL				
		COLOR/GRN				
		DECORATION				
DO NOT SCALE DRAWING						

TITLE:
6 OZ 89 MM THICK WALL
ROUND BOTTOM CLARIFIED
POLYPROPYLENE JAR

SIZE DWG. NO. REV
C B0890600PPCR
SCALE: 1:1 SHEET 1 OF 1