

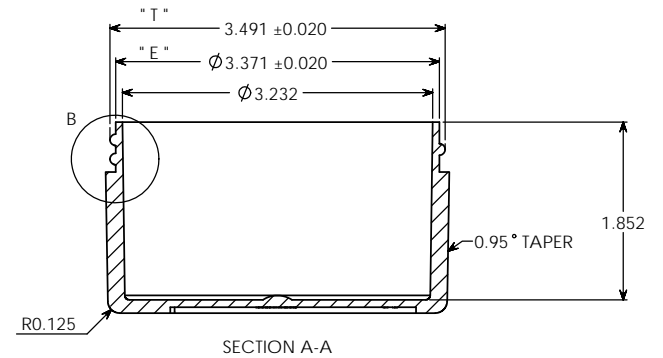
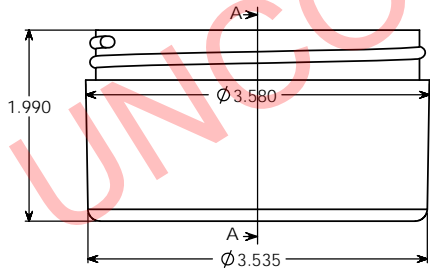
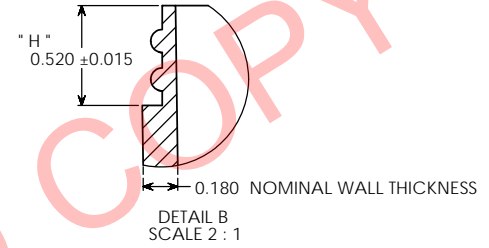
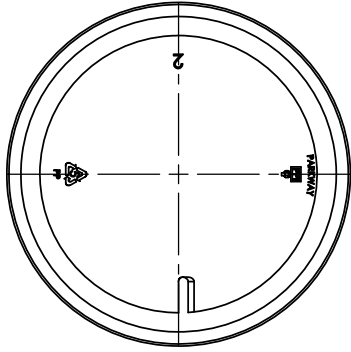
PROPERTY OF

PPI IS NOT RESPONSIBLE FOR PRODUCT COMPATABILITY.  
NOT ALL MATERIALS ARE SUITABLE FOR ALL APPLICATIONS.



PARKWAY PLASTICS

IT IS THE BUYER'S SOLE RESPONSIBILITY TO TEST THE COMPATIBILITY  
OF THEIR PRODUCTS WITH PARKWAY'S PRODUCTS & SERVICES.



NOTE

Manufacturer reserves the right to change specifications without notice. All purchase order for the item herein described, must be accompanied by a copy of this print. All dimensions have a tolerance of +/- 3% unless otherwise specified.  
SIDEWALL CAMBER .050" PER SIDE MAX.  
THREAD = GCM1 400- CT FINISH  
5 THREADS PER INCH.

OVERFLOW: 250 ML  
WEIGHT: 56.5 GRAMS ± 5 GRAMS

UNCONTROLLED COPY

PROPRIETARY AND CONFIDENTIAL  
THE INFORMATION CONTAINED IN THIS DRAWING IS THE SOLE PROPERTY OF PARKWAY PLASTICS INC. ANY REPRODUCTION IN PART OR AS A WHOLE WITHOUT THE WRITTEN PERMISSION OF PARKWAY PLASTICS INC IS PROHIBITED.

|                 |                      |  |           |       |  |
|-----------------|----------------------|--|-----------|-------|--|
| * T * DIMENSION | 3.491 ± 0.020        | UNLESS OTHERWISE SPECIFIED:<br>DIMENSIONS ARE IN INCHES<br>TOLERANCES:<br>FRACTIONAL ±<br>ANGULAR MATCH ± BEND ±<br>TWO PLACE DECIMAL ±<br>THREE PLACE DECIMAL ± | NAME      | DATE  | PARKWAY PLASTICS INC   |
| * E * DIMENSION | 3.371 ± 0.020        |  | DRAWN     | G.W.W |  |
| * H * DIMENSION | 0.520 ± 0.015        |  | CHECKED   |       | TITLE:   |
| SECTION VIEW    | JAR                  |  | ENG APPR  |       | 6 OZ 89 MM THICK WALL<br>WHITE POLYPROPYLENE JAR<br>(CUSTOMER PRINT) |
| DETAIL VIEW     | " H " DIMENSION      | MATERIAL   | MFG APPR  |       | SIZE   |
|                 |                      | S11  | D.A.      |       | DWG. NO.   |
|                 |                      | 61 WHITE   | COMMENTS: |       | B0890600PPW  |
| NEXT ASSY       | USED ON              | DECORATION   |           |       | REV  |
|                 |                      | NA   |           |       | C  |
| APPLICATION     | DO NOT SCALE DRAWING |  |           |       | SCALE: 1:1   |
|                 |                      |  |           |       | WEIGHT:  |
|                 |                      |  |           |       | SHEET 1 OF 1   |

8 7 6 5 4 3 2 1

8 7 6 5 4 3 2 1