

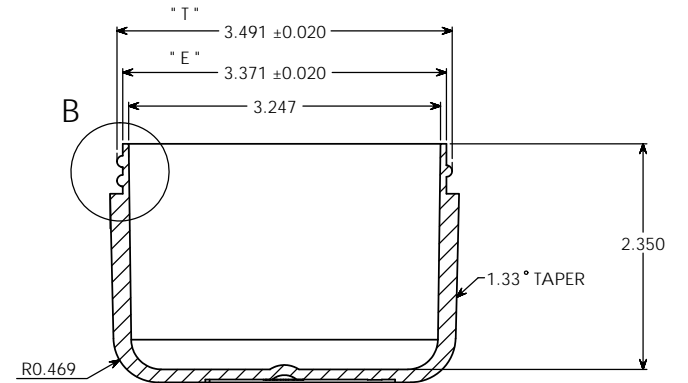
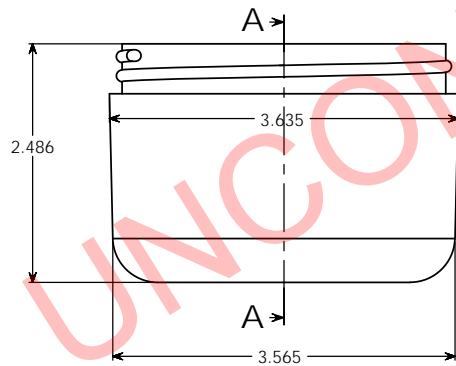
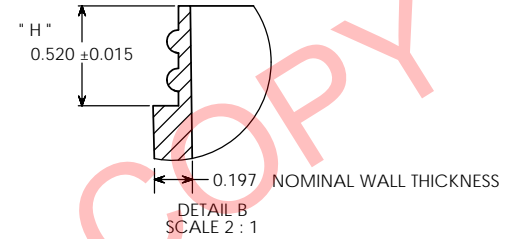
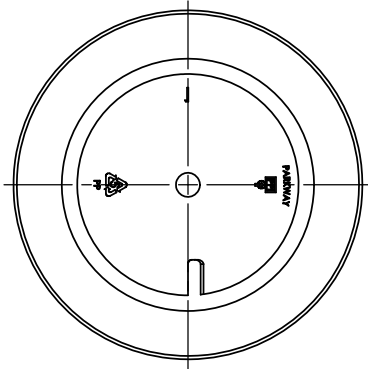
PROPERTY OF

PPI IS NOT RESPONSIBLE FOR PRODUCT COMPATABILITY.
NOT ALL MATERIALS ARE SUITABLE FOR ALL APPLICATIONS.



PARKWAY PLASTICS

IT IS THE BUYER'S SOLE RESPONSIBILITY TO TEST THE COMPATIBILITY
OF THEIR PRODUCTS WITH PARKWAY'S PRODUCTS & SERVICES.



SECTION A-A

NOTE

Manufacturer reserves the right to change specifications without notice. All purchase order for the item herein described, must be accompanied by a copy of this print. All dimensions have a tolerance of +/- 3 % unless otherwise specified.
SIDEWALL CAMBER .050" PER SIDE MAX.
THREAD = GCM1 400- CT FINISH
5 THREADS PER INCH.

OVERFLOW: 315 ML
WEIGHT: 78.3 GRAMS ± 5 GRAMS

* T * DIMENSION	3.491 ± 0.020	UNLESS OTHERWISE SPECIFIED: DIMENSIONS ARE IN INCHES TOLERANCES: FRACTIONAL ± ANGULAR: MACH ± BEND ± TWO PLACE DECIMAL ± THREE PLACE DECIMAL ±	NAME	DATE	PARKWAY PLASTICS INC TITLE: 8 OZ 89 MM THICK WALL ROUND BOTTOM WHITE POLYPROPYLENE JAR
* E * DIMENSION	3.371 ± 0.020		DRAWN	G.W.W 01/16/14	
* H * DIMENSION	0.520 ± 0.015	UPDATED	G.W.W 09/09/14		
SECTION VIEW	JAR	ENG APPR			
DETAIL VIEW	A - A	MATERIAL	S11	DIA.	CUSTOMER PART #
DETAIL VIEW	B	COLOR	61 WHITE	DECORATION	NA
DO NOT SCALE DRAWING					
SIZE	DWG. NO.	REV			
C	B0890800PPWR		SCALE: 1:1		SHEET 1 OF 1

PROPRIETARY AND CONFIDENTIAL
THE INFORMATION CONTAINED IN THIS DRAWING IS THE SOLE PROPERTY OF PARKWAY PLASTICS INC. ANY REPRODUCTION IN PART OR AS A WHOLE WITHOUT THE WRITTEN PERMISSION OF PARKWAY PLASTICS INC IS PROHIBITED.