

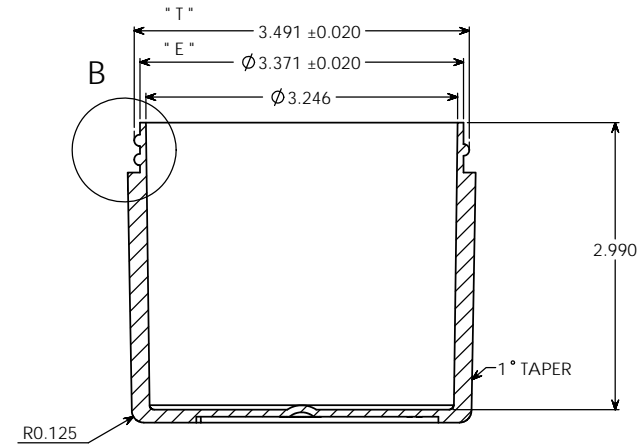
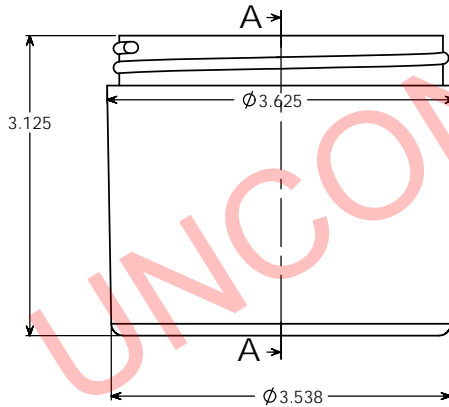
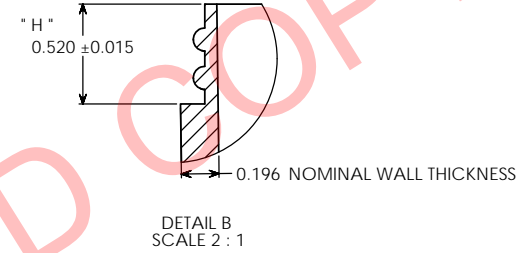
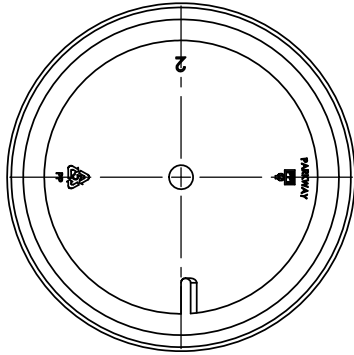
PROPERTY OF

PPI IS NOT RESPONSIBLE FOR PRODUCT COMPATABILITY.
NOT ALL MATERIALS ARE SUITABLE FOR ALL APPLICATIONS.



PARKWAY PLASTICS

IT IS THE BUYER'S SOLE RESPONSIBILITY TO TEST THE COMPATIBILITY
OF THEIR PRODUCTS WITH PARKWAY'S PRODUCTS & SERVICES.



NOTE

Manufacturer reserves the right to change specifications without notice. All purchase order for the item herein described, must be accompanied by a copy of this print. All dimensions have a tolerance of +/- 3 % unless otherwise specified.
SIDEWALL CAMBER .050" PER SIDE MAX.
THREAD = GCM1 400- CT FINISH
5 THREADS PER INCH.

OVERFLOW: 400 ML
WEIGHT: 93 GRAMS ± 4 GRAMS

SECTION A-A

PROPRIETARY AND CONFIDENTIAL THE INFORMATION CONTAINED IN THIS DRAWING IS THE SOLE PROPERTY OF PARKWAY PLASTICS INC. ANY REPRODUCTION IN PART OR AS A WHOLE WITHOUT THE WRITTEN PERMISSION OF PARKWAY PLASTICS INC IS PROHIBITED.		DIMENSIONS ARE IN INCHES TOLERANCES: FRACTIONAL ± ANGULAR MATCH ± BEND ± TWO PLACE DECIMAL ± THREE PLACE DECIMAL ±		NAME G.W.W.	DATE 03/20/13	PARKWAY PLASTICS INC TITLE: 12 OZ 89 MM EXTRA THICK WALL POLYPROPYLENE JAR (CUSTOMER PRINT)	
* T * DIMENSION 3.491 ± 0.020	* E * DIMENSION 3.371 ± 0.020	* H * DIMENSION 0.520 ± 0.015	CHECKED ENG APPR	MFG APPR	D.A.		
SECTION VIEW A - A	JAR	MATERIAL S10-01	COMMENTS: REPLACES PRINT #B12000890P0003A2		SIZE C	DWG. NO. B0891200PPC	REV
DETAIL VIEW B	* H * DIMENSION	COLOR/DRAWN NA	FINISH NA	APPLICATION DO NOT SCALE DRAWING	SCALE: 1:1	WEIGHT:	SHEET 1 OF 1