

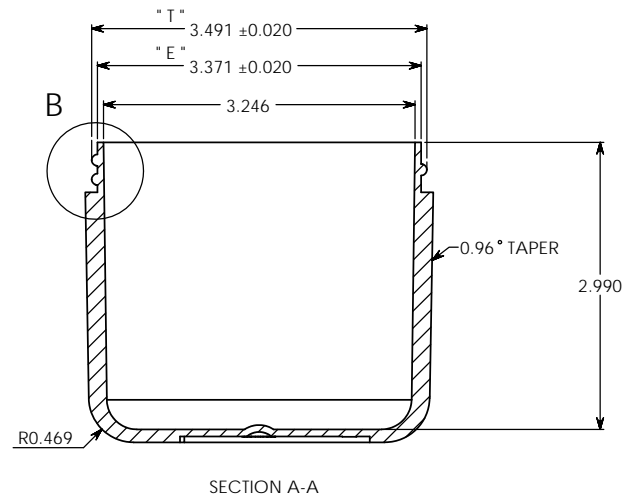
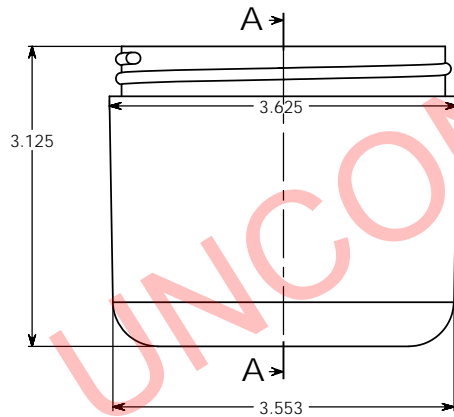
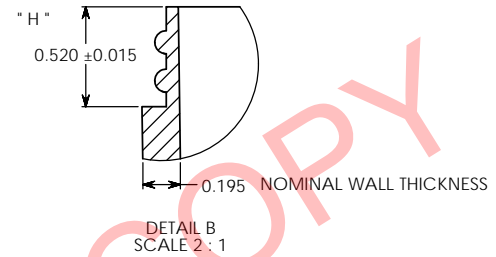
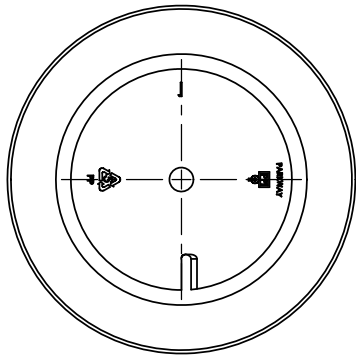
PROPERTY OF

PPI IS NOT RESPONSIBLE FOR PRODUCT COMPATABILITY.  
NOT ALL MATERIALS ARE SUITABLE FOR ALL APPLICATIONS.



PARKWAY PLASTICS

IT IS THE BUYER'S SOLE RESPONSIBILITY TO TEST THE COMPATIBILITY  
OF THEIR PRODUCTS WITH PARKWAY'S PRODUCTS & SERVICES.



NOTE

Manufacturer reserves the right to change specifications without notice. All purchase order for the item herein described, must be accompanied by a copy of this print. All dimensions have a tolerance of +/- 3% unless otherwise specified.  
SIDEWALL CAMBER .050" PER SIDE MAX.  
THREAD = GCM1 400- CT FINISH  
5 THREADS PER INCH.

OVERFLOW: 400 ML  
WEIGHT: 91.5 GRAMS ± 5 GRAMS

UNCONTROLLED COPY

PROPRIETARY AND CONFIDENTIAL  
THE INFORMATION CONTAINED IN THIS DRAWING IS THE SOLE PROPERTY OF PARKWAY PLASTICS INC. ANY REPRODUCTION IN PART OR AS A WHOLE WITHOUT THE WRITTEN PERMISSION OF PARKWAY PLASTICS INC IS PROHIBITED.

* T * DIMENSION	3.491 ± 0.020	UNLESS OTHERWISE SPECIFIED: DIMENSIONS ARE IN INCHES TOLERANCES: FRACTIONAL ± ANGULAR: MACH ± BEND ± TWO PLACE DECIMAL ± THREE PLACE DECIMAL ±	NAME	DATE
* E * DIMENSION	3.371 ± 0.020		G. W. W.	09/08/14
* H * DIMENSION	0.520 ± 0.015		CHECKED	
SECTION VIEW A - A	JAR		ENG APPR	
DETAIL VIEW B	* H * DIMENSION		MFG APPR	
		MATERIAL	D.A.	
		COLOR	CUSTOMER PART #	
		61 WHITE		
		DECORATION		
		NA		

PARKWAY PLASTICS INC		
TITLE: 12 OZ 89 MM THICK WALL ROUND BOTTOM WHITE POLYPROPYLENE JAR		
SIZE	DWG. NO.	REV
C	B0891200PPWR	
SCALE: 1:1		SHEET 1 OF 1

DO NOT SCALE DRAWING