

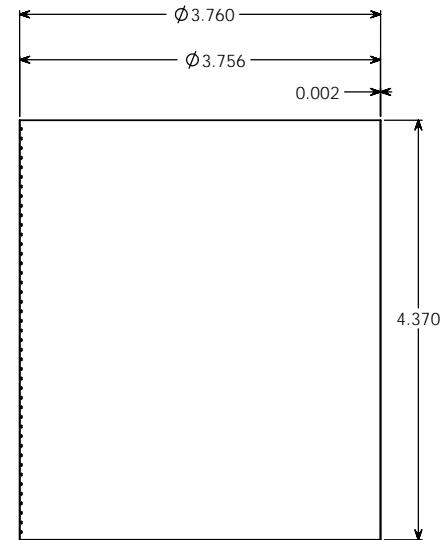
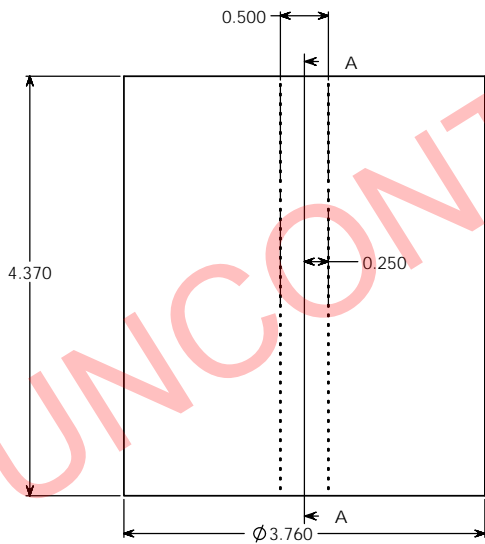
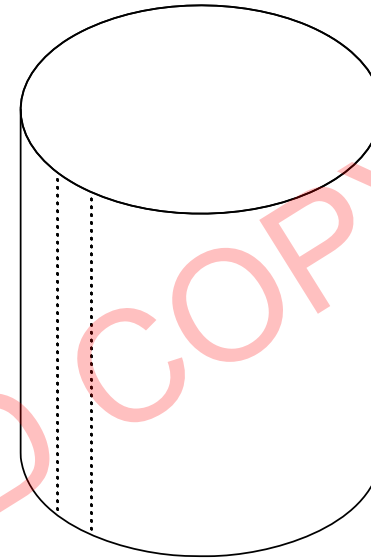
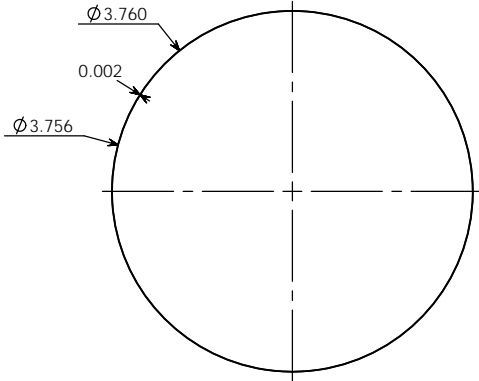
**PROPERTY OF**

PPI IS NOT RESPONSIBLE FOR PRODUCT COMPATABILITY.  
NOT ALL MATERIALS ARE SUITABLE FOR ALL APPLICATIONS.



**PARKWAY PLASTICS**

IT IS THE BUYER'S SOLE RESPONSIBILITY TO TEST THE COMPATIBILITY OF  
THEIR PRODUCTS WITH PARKWAY'S PRODUCTS & SERVICES.



SECTION A-A

**NOTE:**

SHRINKSLEEVES ARE SHIPPED  
PRESSED FLAT WITH SPECIFIC WIDTH  
& HEIGHT MEASUREMENTS. EACH  
MEASUREMENT HAS A TOLERANCE  
OF +/- .125 INCHES (3.175 MM).

**PROPRIETARY AND CONFIDENTIAL**  
THE INFORMATION CONTAINED IN THIS  
DRAWING IS THE SOLE PROPERTY OF  
PARKWAY PLASTICS INC. ANY  
REPRODUCTION IN PART OR AS A WHOLE  
WITHOUT THE WRITTEN PERMISSION OF  
PARKWAY PLASTICS INC IS PROHIBITED.

<b>WIDTH</b>	<b>HEIGHT</b>	<b>UNLESS OTHERWISE SPECIFIED:</b>	<b>NAME</b>	<b>DATE</b>	<b>PARKWAY PLASTICS INC</b>
150MM	111MM	DIMENSIONS ARE IN INCHES TOLERANCES: FRACTIONAL ± ANGULAR MATCH ± BEND ± TWO PLACE DECIMAL ± THREE PLACE DECIMAL ±	S.P.	02/04/15	
		INTERPRET GEOMETRIC TOLERANCING PER:	CHECKED		<b>TITLE:</b>
		MATERIAL	ENG APPR		16OZ 89MM TW CLEAR PVC SHRINK SLEEVE
		FINISH	MFG APPR		<b>SIZE</b>
NEXT ASSY	USED ON	APPLICATION	D.A.		DWG. NO.
		DO NOT SCALE DRAWING	COMMENTS:		B0891600 Shrink Sleeve
					REV
					SCALE: 1:1
					WEIGHT:
					SHEET 1 OF 1

**PROPERTY OF**

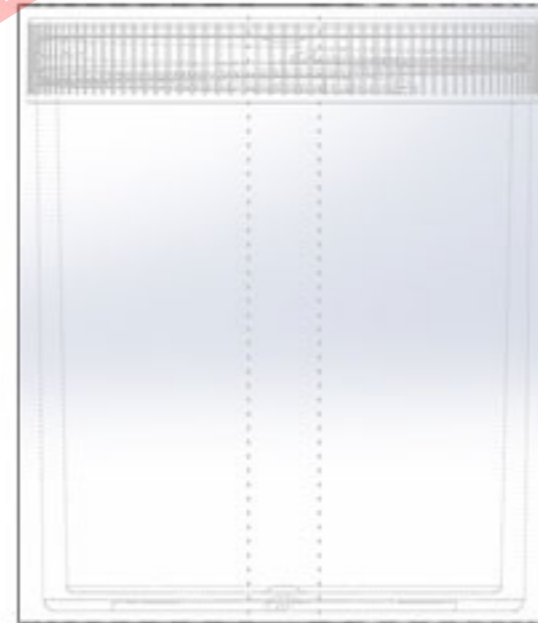
PPI IS NOT RESPONSIBLE FOR PRODUCT COMPATABILITY.  
NOT ALL MATERIALS ARE SUITABLE FOR ALL APPLICATIONS.



**PARKWAY PLASTICS**

IT IS THE BUYER'S SOLE RESPONSIBILITY TO TEST THE COMPATIBILITY OF  
THEIR PRODUCTS WITH PARKWAY'S PRODUCTS & SERVICES.

**16OZ 89MM TW CLEAR PVC SHRINK SLEEVE  
150MM X 111MM**



UNCONTROLLED COPY